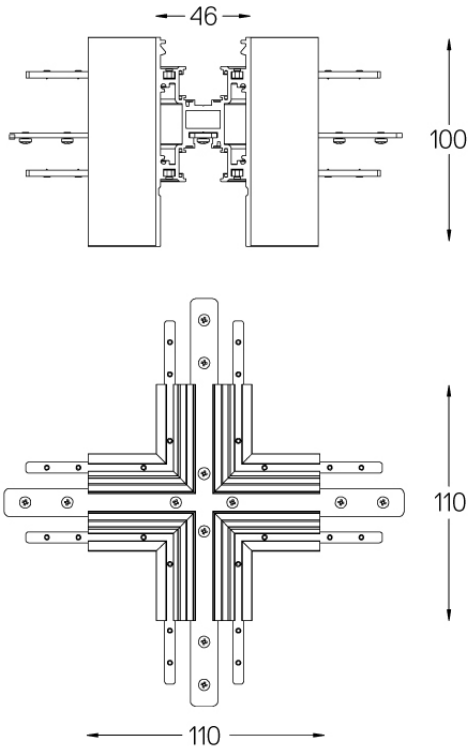


Structure Connector X- shape Pendant Direct/Indirect

70020



Design: O/M
Structure Connector X-shape for
Pendant Direct/Indirect profile
with Fitting Accessory Pendant.
Available in white (.01) and black
(.02)

Weight

-

Finishes

- .01 White / RAL 9010
- .02 Black / RAL 9005