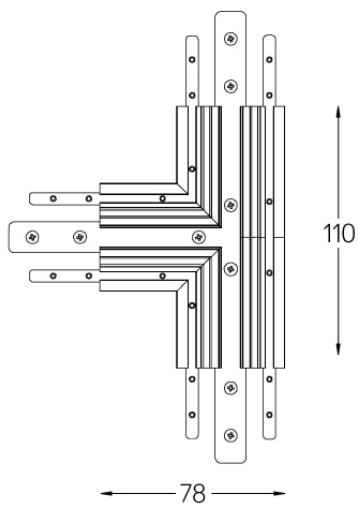
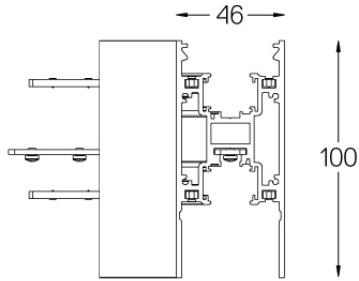


Structure Connector T- shape Pendant Direct/Indirect

70017



Design: O/M

Structure Connector T-shape for
Pendant Direct/Indirect profile
with Fitting Accessory Pendant.
Available in white (.01) and black
(.02)

Weight

-

Finishes

○ .01 White / RAL 9010

● .02 Black / RAL 9005