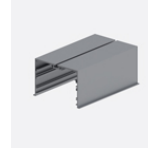




122x(length-10)

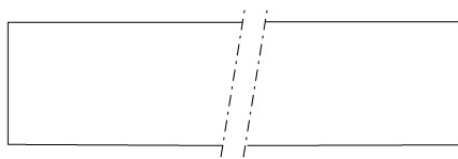


Design: O/M

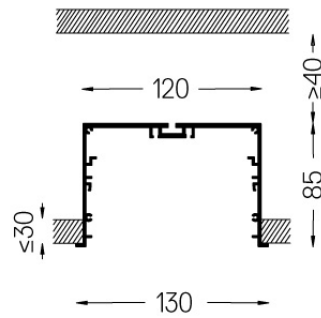
Unit=1m, maximum length per segment is 3m.

Aluminium profile for recessed application with 25 micron maximum corrosion resistance anodisation.

Electrostatic 100% polyester texture-finish paint.



→Variable (max. length per profile - 3000)←



### Finishes

- .01 White / RAL 9010
- .02 Black / RAL 9005
- .10 Anodised aluminium