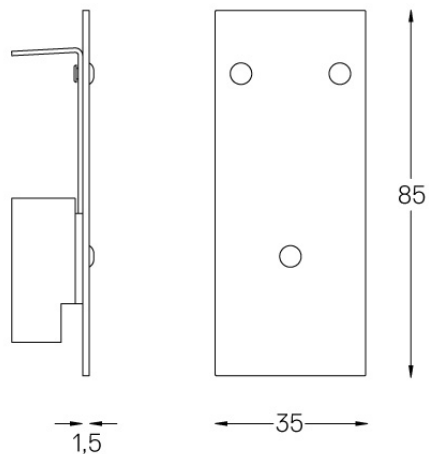




Design: O/M

Set of two End caps (2 mm) for direct light application made of aluminium plate.

Matt finish or electrostatic 100% polyester texture-finish paint.



Finishes

- .01 White / RAL 9010
- .02 Black / RAL 9005
- .10 Anodised aluminium