

51W / 3900lm / 3000K / DALI / Wallwasher / 1200mm

65449



#### Structure

- 1 Profile
- 2 End caps
- 3 Fitting accessories
- 4 Profile coupling

#### Modules

- A inVision Module

Design: O/M + Bartenbach GmbH

inVision module with housing and perforated cover plate made of aluminium with textured-paint finish.

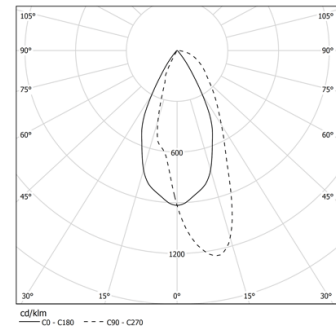
LED CRI>90 / >50.000h, L80/B10 / 2-step MacAdam

Power supply included.

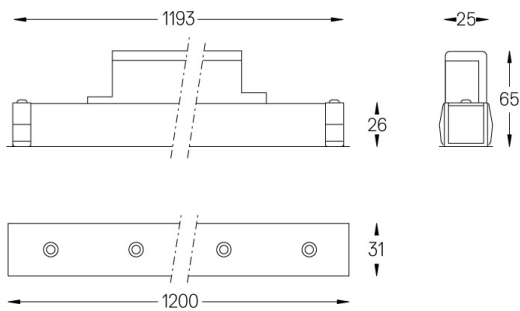
IP20 | 230Vac | 50/60Hz



LED	3000K	Light Source	Luminaire
Power	51W		59,3W
Flux	5135lm		3900lm
Efficiency	102lm/W		66lm/W
LOR	-		76%
UGR	-		-



mm



#### Finishes

- .01 White / RAL 9010
- .02 Black / RAL 9005

For the specific supply of "DALI 2" drivers, please contact: support@om-light.com

Choose the length and layout of the system exactly as you want it, to model the right lighting functions for different tasks. For further information please contact: support@om-light.com