

5,6W / 370lm / 4000K / On/Off / Medium  
40° / ø45mm

64891

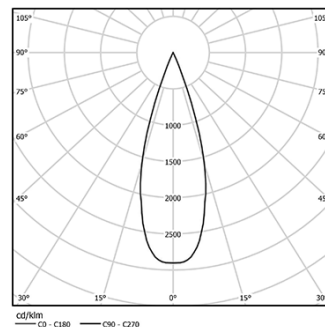


Design: O/M + Bartenbach GmbH  
Surface spotlight with die-cast aluminium body with electrostatic 100% polyester paint finish.  
Orientable by 150° horizontal rotation and 330° vertical rotation.  
Driver to be ordered separately.

LED CRI>90 / >50.000h, L80/B10  
2-step MacAdam / Driver to be ordered separately.  
IP20 / 450mA



LED	4000K	Light Source	Luminaire
Power		5,6W	5,6W
Flux		460lm	370lm
Efficiency		82lm/W	53lm/W
LOR		-	80%
Operating Condition		-	Current source

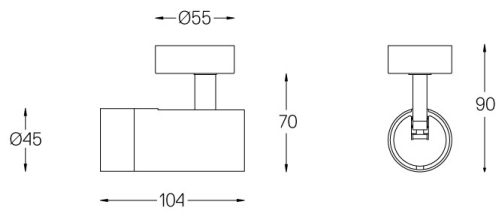


Beam angle  
Medium 40°

Application

Weight  
0,30Kg

mm



#### Finishes

- .01 White / RAL 9010
- .02 Black / RAL 9005

---

#### Mandatory

**59084** Driver On/Off [Up to 2 luminaires]

140x30x21mm

**59085** Driver On/Off [Up to 3 luminaires]

163x30x21mm

**59086** Driver DALI [Up to 2 luminaires]

140x30x21mm

**59087** Driver DALI [Up to 3 luminaires]

163x30x21mm

#### Optional

**59072** 1/4 CTO

ø35x1,1mm

**59073** 1/2 CTO

ø35x1,1mm

**59074** Louvre

ø35x2mm

**59075** Soft diffuser

ø35x2mm

---

#### Data according to regulations

2019/2020/EU supplemented by 2021/341 | 2019/2015/EU  
supplemented by 2021/340/EU Energy Consumption Labelling  
Ordinance. This product contains a light source of efficiency class G  
Model Identifier 4053560313L

## Over Surface

Driver On/Off for Over  
Surface up to 2 luminaires

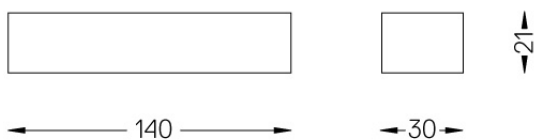
59084



Driver On/Off for Over Surface  
up to 2 luminaires

Weight  
0,09Kg

Finishes  
.99



## Over Surface

Driver On/Off for Over  
Surface up to 3 luminaires

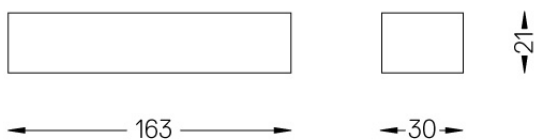
59085



Driver On/Off for Over Surface  
up to 3 luminaires

Weight  
0,11Kg

Finishes  
.99



## Over Surface

Driver DALI for Over Surface  
up to 2 luminaires

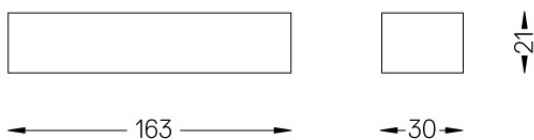
59086



Driver DALI for Over Surface up  
to 2 luminaires

Weight  
0,11Kg

Finishes  
.99



## Over Surface

Driver DALI for Over Surface  
up to 3 luminaires

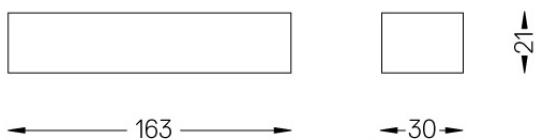
59087



Driver DALI for Over Surface up  
to 3 luminaires

Weight  
0,11Kg

Finishes  
.99

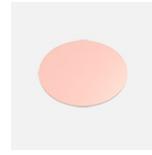


## Over Surface

---

1/4 CTO

59072



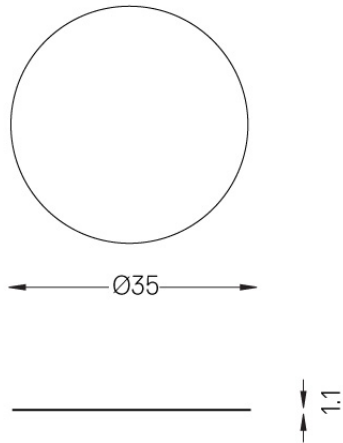
Dichroic Filter Glass  
1/4 CTO for Over 45.

---

Weight  
0,01Kg

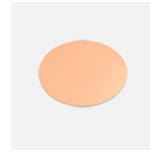
---

Finishes  
.99



1/2 CTO

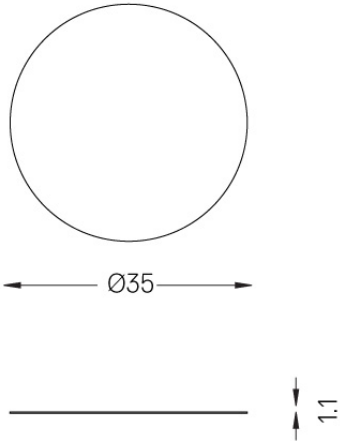
59073



Dichroic Filter Glass  
1/2 CTO for Over 45.

Weight  
0,01Kg

Finishes  
.99





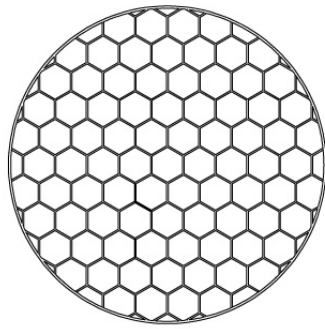


Louvre

59074



Louvre for Over 45.



Ø35



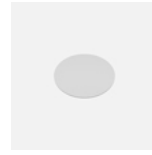
2

Weight  
0,01Kg

Finishes  
.99

Soft diffuser for Over 45.

59075



Soft diffuser for Over 45.

Weight  
0,01Kg

Finishes  
.99

