

5,6W / 350lm / 2700K / On/Off / Medium
40° / ø45mm

64885

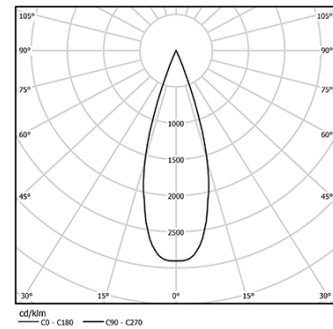


Design: O/M + Bartenbach GmbH
Surface spotlight with die-cast aluminium body with electrostatic 100% polyester paint finish.
Orientable by 150° horizontal rotation and 330° vertical rotation.
Driver to be ordered separately.

LED CRI>90 / >50.000h, L80/B10
2-step MacAdam / Driver to be ordered separately.
IP20 / 450mA



LED	2700K	Light Source	Luminaire
Power		5,6W	5,6W
Flux		460lm	350lm
Efficiency		82lm/W	50lm/W
LOR		-	76%
Operating Condition		-	Current source

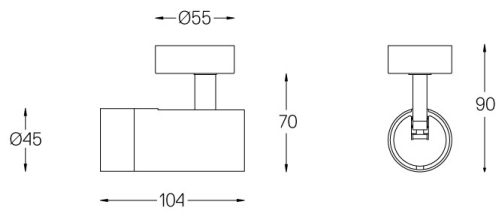


Beam angle
Medium 40°

Application

Weight
0,30Kg

mm



Finishes

- .01 White / RAL 9010
- .02 Black / RAL 9005

Mandatory

59084 Driver On/Off [Up to 2 luminaires]

140x30x21mm

59085 Driver On/Off [Up to 3 luminaires]

163x30x21mm

59086 Driver DALI [Up to 2 luminaires]

140x30x21mm

59087 Driver DALI [Up to 3 luminaires]

163x30x21mm

Optional

59072 1/4 CTO

ø35x1,1mm

59073 1/2 CTO

ø35x1,1mm

59074 Louvre

ø35x2mm

59075 Soft diffuser

ø35x2mm

Data according to regulations

2019/2020/EU supplemented by 2021/341 | 2019/2015/EU
supplemented by 2021/340/EU Energy Consumption Labelling
Ordinance. This product contains a light source of efficiency class G
Model Identifier 4053560312L

Over Surface

Driver On/Off for Over
Surface up to 2 luminaires

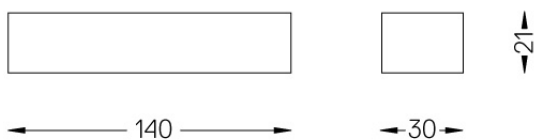
59084



Driver On/Off for Over Surface
up to 2 luminaires

Weight
0,09Kg

Finishes
.99



Over Surface

Driver On/Off for Over
Surface up to 3 luminaires

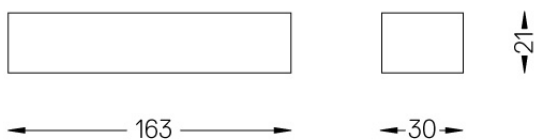
59085



Driver On/Off for Over Surface
up to 3 luminaires

Weight
0,11Kg

Finishes
.99



Over Surface

Driver DALI for Over Surface
up to 2 luminaires

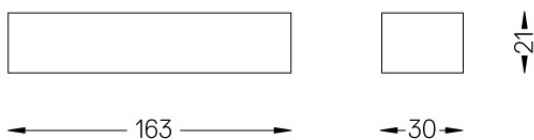
59086



Driver DALI for Over Surface up
to 2 luminaires

Weight
0,11Kg

Finishes
.99



Over Surface

Driver DALI for Over Surface
up to 3 luminaires

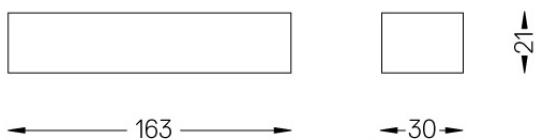
59087



Driver DALI for Over Surface up
to 3 luminaires

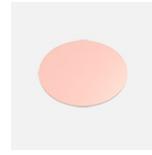
Weight
0,11Kg

Finishes
.99



1/4 CTO

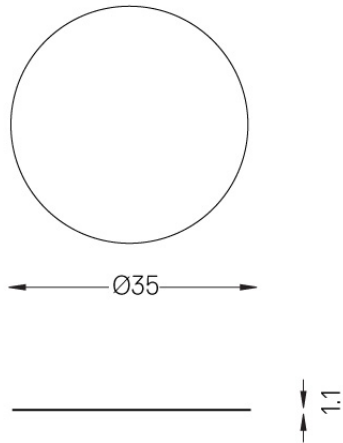
59072



Dichroic Filter Glass
1/4 CTO for Over 45.

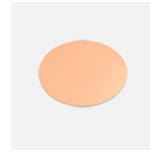
Weight
0,01Kg

Finishes
.99



1/2 CTO

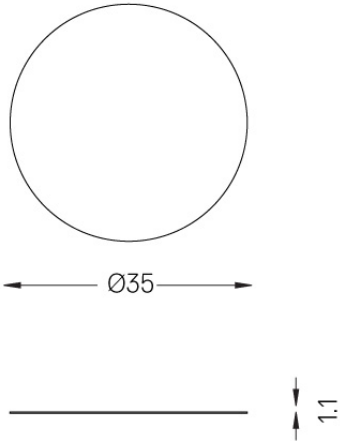
59073



Dichroic Filter Glass
1/2 CTO for Over 45.

Weight
0,01Kg

Finishes
.99



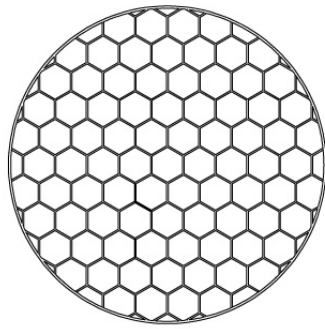


Louvre

59074



Louvre for Over 45.



Ø35



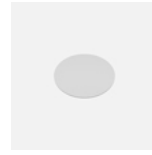
2

Weight
0,01Kg

Finishes
.99

Soft diffuser for Over 45.

59075



Soft diffuser for Over 45.

Weight
0,01Kg

Finishes
.99

