

3,7W / 315lm / 4000K / On/Off / Medium 26°  
/ 50x50mm

64869



Design: O/M

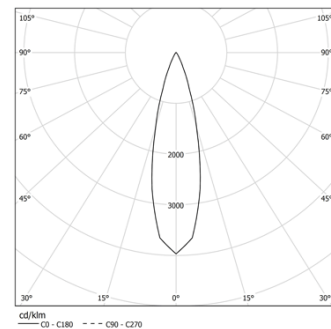
Ceiling-recessed luminaire made of aluminium die-cast.

Recessing system with spring clips.

LED CRI>90 / >50.000h, L80/B10  
3-step MacAdam / Power supply not included  
IP65 | 100mA



LED	4000K	Light Source	Luminaire
Power	3,7W	3,7W	3,7W
Flux	415lm	315lm	315lm
Efficiency	112lm/W	85lm/W	85lm/W
LOR	-	-	76%
UGR	-	-	<10



Beam angle  
Medium 26°

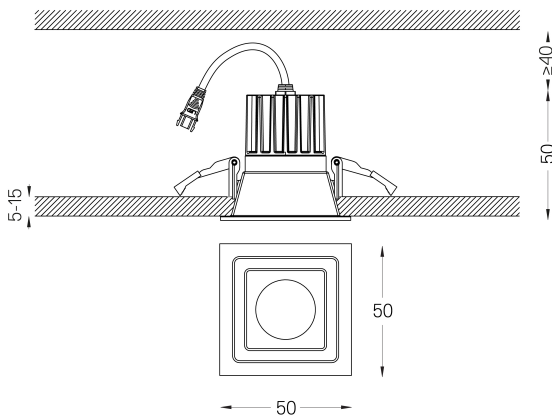
Application



Weight  
0.08Kg



45x45



Finishes

- .04 Matt White
- .05 Matt Black

Mandatory

- 59088 Driver On/Off [100mA]  
138x30x21mm
- 59089 Driver DALI [100mA]  
144x30x21mm
- 59090 Driver PhaseCut [100mA]  
122x41x23mm
- 59091 Driver 1-10V [100mA]  
130x30x20mm

The cutout dimensions are for plasterboard ceilings. For other type of material please contact: support@om-light.com

Data according to regulations

2019/2020/EU supplemented by 2021/341 | 2019/2015/EU supplemented by 2021/340/EU Energy Consumption Labelling Ordinance. This product contains a light source of efficiency class F Model Identifier BXRH-40G1000-B-83

Driver DALI [1 luminaire]

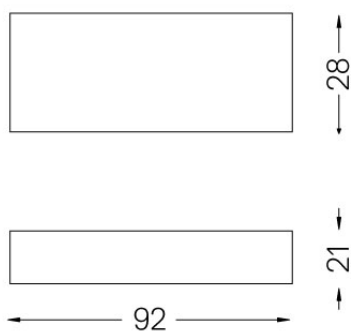
59088



Driver On/Off for Go ø50 [100mA]  
230Vac | 50/60Hz | Class II

Weight  
0,1Kg

Finishes  
.99





## Go IP65 Square

Driver DALI [1 luminaire]

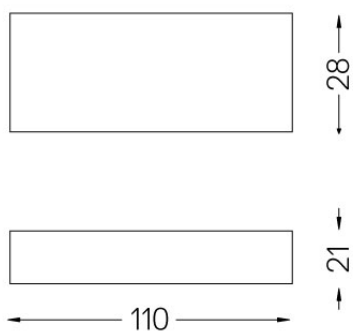
59089



Driver DALI for Go ø50 [100mA]  
230Vac | 50/60Hz | Class II

Weight  
**0,06Kg**

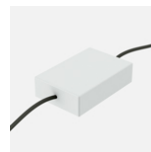
Finishes  
**.99**





## Go IP65 Square

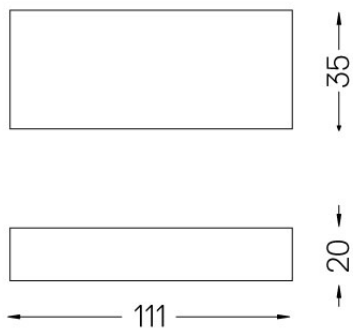
Driver PhaseCut [1 luminaire] **59090**



Driver PhaseCut for Go ø50  
[100mA]  
230Vac | 50/60Hz | Class II

Weight  
**0,08Kg**

Finishes  
**.99**





Driver 1-10V [1 luminaire]

59091



Driver 1-10V for Go ø50 [120mA]  
230Vac | 50/60Hz | Class II

Weight  
0,07Kg

Finishes  
.99

