

14W / 7W / 1765lm / 885lm / 4000K / Flood
42° / ø100mm

64858



Design: O/M

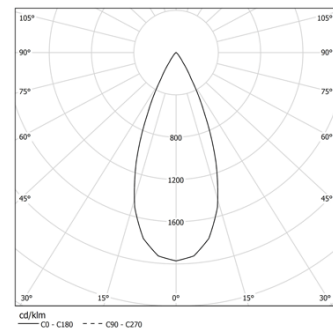
Ceiling-recessed luminaire made of aluminium die-cast.

Recessing system with spring clips.

LED CRI>90 / >50.000h, L80/B10
3-step MacAdam / Power supply not included
IP65 | 400mA / 200mA



LED	4000K	Light Source	Luminaire
Power		14W / 7W	14W / 7W
Flux		2325lm / 1165lm	1765lm / 885lm
Efficiency		166lm/W	126lm/W
LOR		-	76%
UGR		-	<13

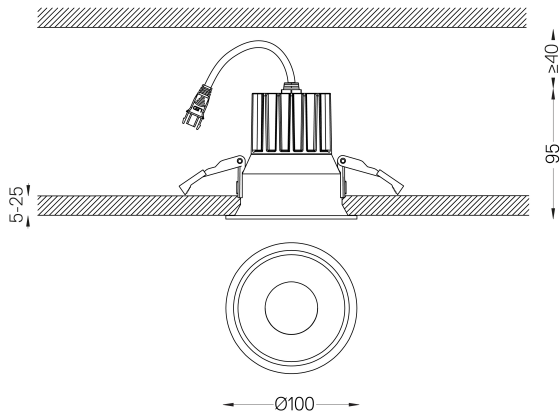


Beam angle
Flood 42°

Application



Weight
0.37Kg



Finishes

- .04 Matt White
- .05 Matt Black

Mandatory

- 59117** Driver On/Off [400mA]
147x43x30mm
- 59116** Driver On/Off [200mA]
147x43x30mm
- 59119** Driver DALI [400mA]
144x30x21mm
- 59118** Driver DALI [200mA]
144x30x21mm
- 59121** Driver PhaseCut [400mA]
111x22x52mm
- 59120** Driver PhaseCut [180mA]
102x49x29mm
- 59123** Driver 1-10V [400mA]
163x30x21mm
- 59122** Driver 1-10V [200mA]
130x30x20mm

Optional

- 59137** Flush accessory (12.5mm ceilings)
180x107x16,5mm
- 59138** Flush accessory (15mm ceilings)
180x107x19,5mm
- 59156** Frosted Glass
ø52x2mm

The cutout dimensions are for plasterboard ceilings. For other type of material please contact: support@om-light.com

The 5-year guarantee applies only when the luminaire and driver are supplied together.

Data according to regulations

2019/2020/EU supplemented by 2021/341 | 2019/2015/EU supplemented by 2021/340/EU Energy Consumption Labelling Ordinance. This product contains a light source of efficiency class E
Model Identifier BXRE-40G20FB-C-83