

14W / 7W / 1860lm / 930lm / 4000K / Flood
42° / ø100mm

64770



Design: O/M

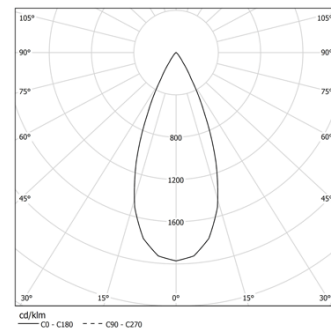
Ceiling-recessed luminaire made of aluminium die-cast.

Recessing system with spring clips.

LED CRI>90 / >50.000h, L80/B10
3-step MacAdam / Power supply not included
IP44 | 400mA / 200mA



| LED | 4000K | Light Source | Luminaire |
|------------|-------|-----------------|----------------|
| Power | | 14W / 7W | 14W / 7W |
| Flux | | 2325lm / 1165lm | 1860lm / 930lm |
| Efficiency | | 166lm/W | 133lm/W |
| LOR | | - | 80% |
| UGR | | - | <13 |

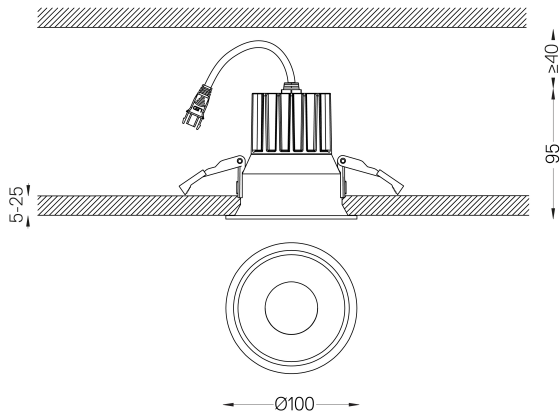


Beam angle
Flood 42°

Application



Weight
0.37Kg



Finishes

- .04 Matt White
- .05 Matt Black

Mandatory

- 59117** Driver On/Off [400mA]
147x43x30mm
- 59116** Driver On/Off [200mA]
147x43x30mm
- 59119** Driver DALI [400mA]
144x30x21mm
- 59118** Driver DALI [200mA]
144x30x21mm
- 59121** Driver PhaseCut [400mA]
111x22x52mm
- 59120** Driver PhaseCut [180mA]
102x49x29mm
- 59123** Driver 1-10V [400mA]
163x30x21mm
- 59122** Driver 1-10V [200mA]
130x30x20mm

The cutout dimensions are for plasterboard ceilings. For other type of material please contact: support@om-light.com

The 5-year guarantee applies only when the luminaire and driver are supplied together.

Data according to regulations

2019/2020/EU supplemented by 2021/341 | 2019/2015/EU
supplemented by 2021/340/EU Energy Consumption Labelling
Ordinance. This product contains a light source of efficiency class E
Model Identifier BXRE-40G20FB-C-83