

6,7W / 3,7W / 555lm / 310lm / 3000K / Spot  
20° / ø75mm

64748



Design: O/M

Ceiling-recessed luminaire made of aluminium die-cast.

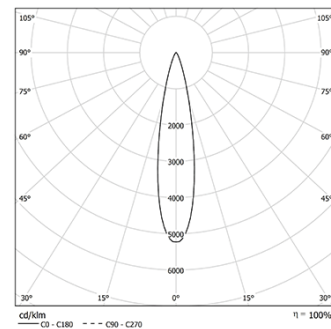
Recessing system with spring clips.

Recessing accessory for flush version supplied separately.

LED CRI>90 / >50.000h, L80/B10  
3-step MacAdam / Power supply not included  
IP44 | 180mA / 100mA



LED	3000K	Light Source	Luminaire
Power		6,7W / 3,7W	6,7W / 3,7W
Flux		685lm / 380lm	555lm / 310lm
Efficiency		102lm/W	83lm/W
LOR		-	81%
UGR		-	<16

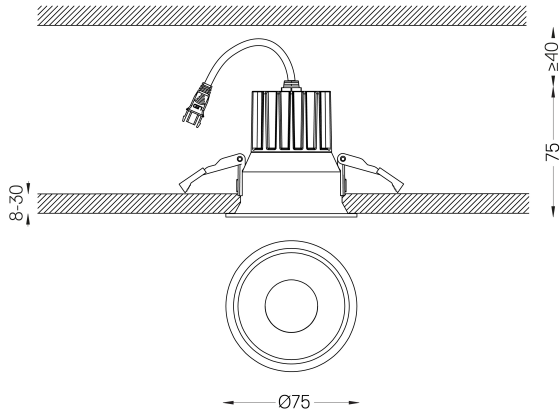


Beam angle  
Spot 20°

Application



Weight  
0.21Kg



## Finishes

- .04 Matt White
- .05 Matt Black

## Mandatory

- 59093** Driver On/Off [180mA]  
147x43x30mm
- 59092** Driver On/Off [100mA]  
92x28x21mm
- 59095** Driver DALI [180mA]  
144x30x21mm
- 59094** Driver DALI [100mA]  
144x30x21mm
- 59097** Driver Phase-Cut [180mA]  
102x49x29mm
- 59096** Driver Phase-Cut [100mA]  
122x41x23mm
- 59099** Driver 1-10V [180mA]  
130x30x20mm
- 59098** Driver 1-10V [120mA]  
130x30x20mm

## Optional

- 59134** Flush accessory (12.5mm ceilings)  
140x82x16,5mm
- 59135** Flush accessory (15mm ceilings)  
140x82x19,5mm
- 59151** Louvre  
ø35x4mm
- 59152** Elliptical diffuser  
ø35x4mm

The cutout dimensions are for plasterboard ceilings. For other type of material please contact: [support@om-light.com](mailto:support@om-light.com)

The 5-year guarantee applies only when the luminaire and driver are supplied together.

## Data according to regulations

2019/2020/EU supplemented by 2021/341 | 2019/2015/EU supplemented by 2021/340/EU Energy Consumption Labelling Ordinance. This product contains a light source of efficiency class F  
Model Identifier BXRH-30G1000-B-83