



Design: O/M + Eduardo Souto de Moura

Outdoor luminaire in aluminium body with anti-corrosion treatment and textured electrostatic 100% polyester paint finish.

Clear glass diffuser.

Asymmetrical aluminium reflector with 97% reflection, low luminance level and low UGR level.

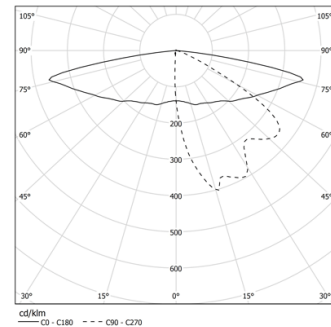
Fitting accessory available separately.

\*Polycarbonate clear diffuser (IK10) available under request.

LED CRI>90 / >50.000h, L80/B10  
2-step MacAdam / power supply included.  
IP66 | 230Vac | 50/60Hz



LED	3000K	Light Source	Luminaire
Power		7,3W	9,1W
Flux		730lm	380lm
Efficiency		100lm/W	42lm/W
LOR		-	52%
UGR		-	-

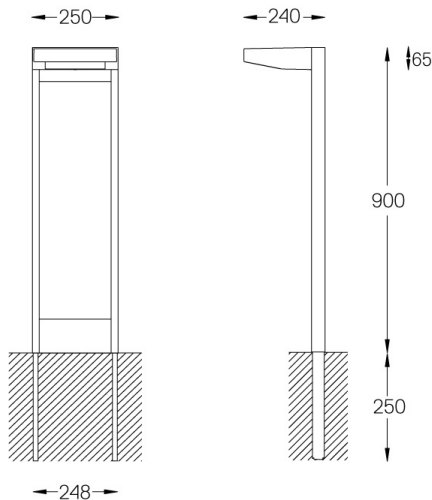


Beam angle  
Elliptical  
longitudinal

Application



Weight  
7,2Kg



Finishes

- .01 White / RAL 9010
- .02 Black / RAL 9005
- .33 Graphite Black
- .34 Rust

Optional

59082 Assembly accessory