



Design: O/M + Eduardo Souto de Moura

Outdoor luminaire in aluminium body with anti-corrosion treatment and textured electrostatic 100% polyester paint finish.

Clear glass diffuser.

Asymmetrical aluminium reflector with 97% reflection, low luminance level and low UGR level.

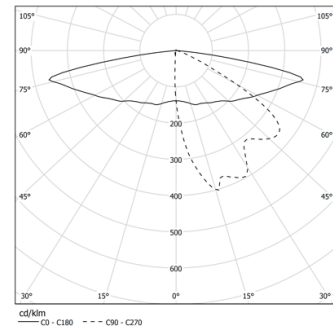
Fitting accessory available separately.

*Polycarbonate clear diffuser (IK10) available under request.

LED CRI>90 / >50.000h, L80/B10
2-step MacAdam / power supply included.
IP66 | 230Vac | 50/60Hz



| LED | 2700K | Light Source | Luminaire |
|------------|-------|--------------|-----------|
| Power | | 7,3W | 9,1W |
| Flux | | 700lm | 370lm |
| Efficiency | | 96lm/W | 41lm/W |
| LOR | | - | 53% |
| UGR | | - | - |

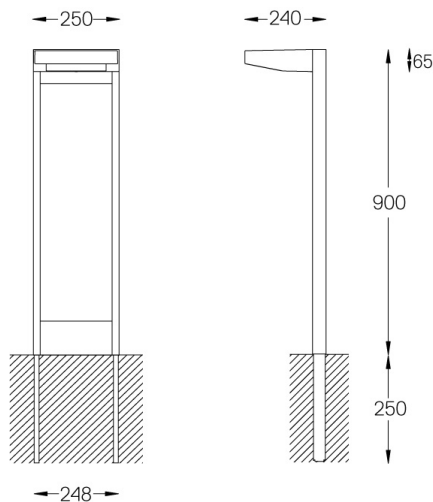


Beam angle
Elliptical
longitudinal

Application



Weight
7,2Kg



Finishes

- .01 White / RAL 9010
- .02 Black / RAL 9005
- .33 Graphite Black
- .34 Rust

Optional

59082 Assembly accessory