



Design: O/M + Eduardo Souto de Moura

Outdoor luminaire in aluminium body with anti-corrosion treatment and textured electrostatic 100% polyester paint finish.

Clear glass diffuser.

Asymmetrical aluminium reflector with 97% reflection, low luminance level and low UGR level.

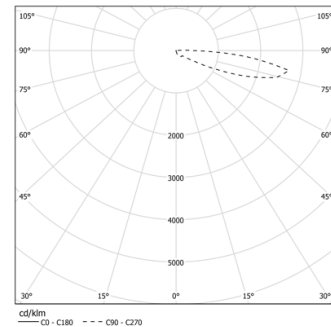
Fitting accessory available separately.

*Polycarbonate clear diffuser (IK10) available under request.

LED CRI>80 / >50.000h, L80/B10
2-step MacAdam / power supply included.
IP66 | 230Vac | 50/60Hz



LED	4000K	Light Source	Luminaire
Power		6,2W	7,8W
Flux		870lm	310lm
Efficiency		140lm/W	40lm/W
LOR		-	36%
UGR		-	-

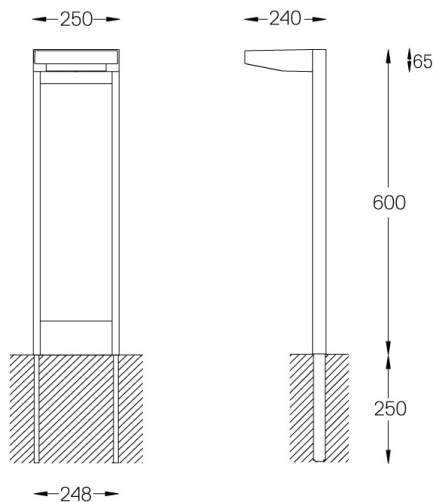


Beam angle
Elliptical
transverse

Application



Weight
6,2Kg



Finishes

- .01 White / RAL 9010
- .02 Black / RAL 9005
- .33 Graphite Black
- .34 Rust

Optional

59082 Assembly accessory

For the specific supply of "DALI 2" drivers, please contact:
support@om-light.com