



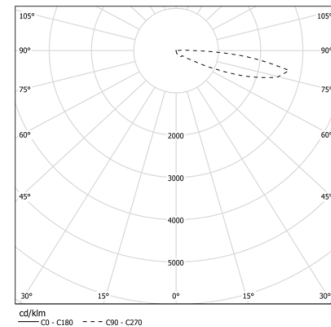
Design: O/M + Eduardo Souto de Moura  
Outdoor luminaire in aluminium body with anti-corrosion treatment and textured electrostatic 100% polyester paint finish.  
Clear glass diffuser.  
Asymmetrical aluminium reflector with 97% reflection, low luminance level and low UGR level.  
Fitting accessory available separately.

\*Polycarbonate clear diffuser (IK10) available under request.

LED CRI>90 / >50.000h, L80/B10  
2-step MacAdam / power supply included.  
IP66 | 230Vac | 50/60Hz



LED	3000K	Light Source	Luminaire
Power		6,2W	7,8W
Flux		700lm	250lm
Efficiency		113lm/W	32lm/W
LOR		-	36%
UGR		-	-

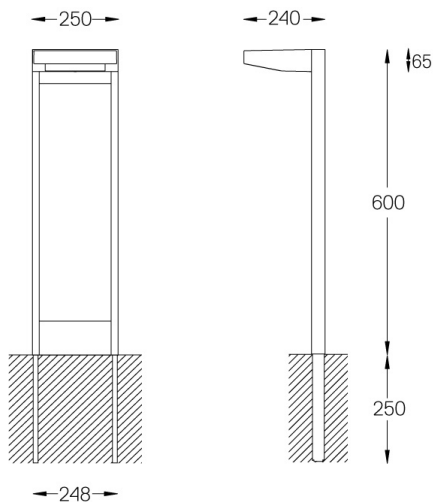


Beam angle  
Elliptical  
transverse

Application



Weight  
6,2Kg



Finishes

- .01 White / RAL 9010
- .02 Black / RAL 9005
- .33 Graphite Black
- .34 Rust

Optional

59082 Assembly accessory

For the specific supply of "DALI 2" drivers, please contact:  
support@om-light.com