

33W / 4085lm / 4000K / DALI / Diffuse /
ø550mm

64592



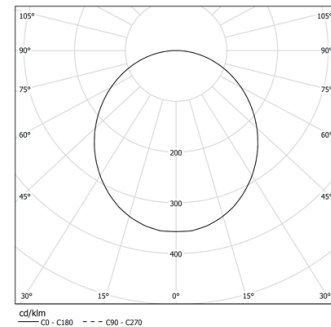
Design: O/M

Pendant luminaire made of aluminium body with electrostatic 100% polyester paint with textured-finish suitable for adverse climate conditions. Frosted acrylic diffuser with perfect light uniformity. Suspension system with millimetric height adjustment ordered separately. Power supply base made of clear polycarbonate, clear power cable (5x0,75mm²) and steel suspension cables (1,2mm) with millimetric height adjustment system supplied separately.

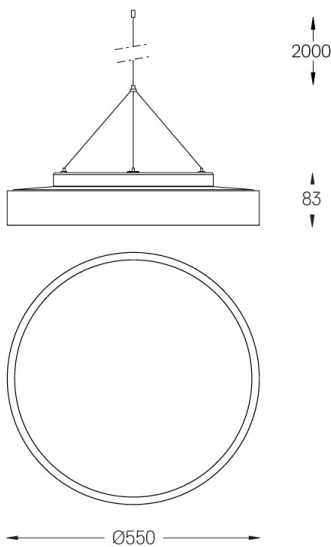
LED: CRI>80 />50.000h, L80/B10 / 3-step MacAdam
Power supply included.
IP43 | 230Vac | 50/60Hz



LED	4000K	Light Source	Luminaire
Power		33W	38,8W
Flux		5840lm	4085lm
Efficiency		177lm/W	105lm/W
LOR		-	70%
UGR		-	<25



mm



Finishes

- .01 White / RAL 9010
- .02 Black / RAL 9005
- .03 Grey / RAL 9006

Mandatory

59080 Pendant fitting accessory
56051 Clear Base DALI
ø60x35mm

For the specific supply of "DALI 2" drivers, please contact:
support@om-light.com

Data according to regulations

2019/2020/EU supplemented by 2021/341 | 2019/2015/EU supplemented by 2021/340/EU Energy Consumption Labelling Ordinance. This product contains light sources of efficiency class C Model Identifier 89603017