

33W / 4085lm / 4000K / On/Off / Diffuse /
ø550mm

64589



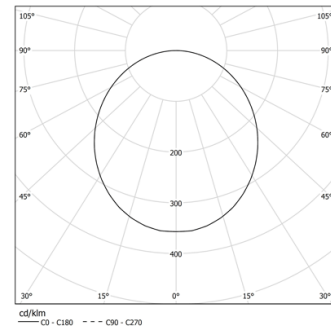
Design: O/M

Pendant luminaire made of aluminium body with electrostatic 100% polyester paint with textured-finish suitable for adverse climate conditions. Frosted acrylic diffuser with perfect light uniformity. Suspension system with millimetric height adjustment ordered separately. Power supply base made of clear polycarbonate, clear power cable (3x0,75mm²) and steel suspension cables (1,2mm) with millimetric height adjustment system supplied separately. Accessories supplied separately.

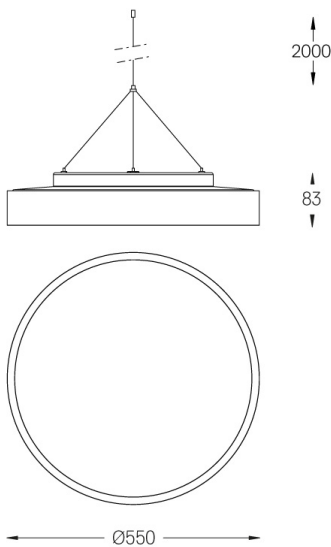
LED: CRI>80 />50.000h, L80/B10 / 3-step MacAdam
Power supply included.
IP43 | 230Vac | 50/60Hz



LED	4000K	Light Source	Luminaire
Power		33W	38,8W
Flux		5840lm	4085lm
Efficiency		177lm/W	105lm/W
LOR		-	70%
UGR		-	<25



Beam angle
Diffuse
Application
Weight
6,1Kg



Finishes

- .01 White / RAL 9010
- .02 Black / RAL 9005
- .03 Grey / RAL 9006

Mandatory

- 59080 Pendant fitting accessory
- 54034 Clear Base
- ø60x35mm

Data according to regulations

2019/2020/EU supplemented by 2021/341 | 2019/2015/EU supplemented by 2021/340/EU Energy Consumption Labelling Ordinance. This product contains light sources of efficiency class C
Model Identifier 89603017