

33W / 3965lm / 3000K / DALI / Diffuse /
ø550mm

64586



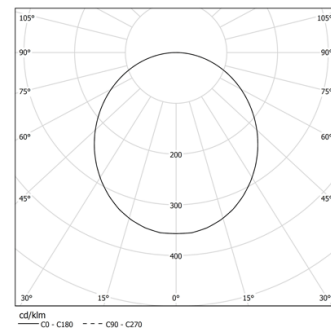
Design: O/M

Pendant luminaire made of aluminium body with electrostatic 100% polyester paint with textured-finish suitable for adverse climate conditions. Frosted acrylic diffuser with perfect light uniformity. Suspension system with millimetric height adjustment ordered separately. Power supply base made of clear polycarbonate, clear power cable (5x0,75mm²) and steel suspension cables (1,2mm) with millimetric height adjustment system supplied separately.

LED: CRI>80 / >50.000h, L80/B10 / 3-step MacAdam
Power supply included.
IP43 | 230Vac | 50/60Hz



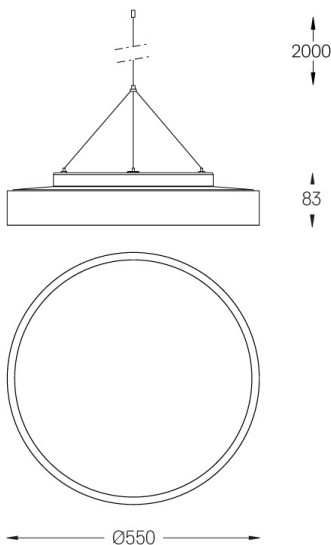
LED	3000K	Light Source	Luminaire
Power		33W	38,8W
Flux		5670lm	3965lm
Efficiency		172lm/W	102lm/W
LOR		-	70%
UGR		-	<25



Beam angle
Diffuse

Application

Weight
6,1Kg



Finishes

- .01 White / RAL 9010
- .02 Black / RAL 9005
- .03 Grey / RAL 9006

Mandatory

59080 Pendant fitting accessory
56051 Clear Base DALI
ø60x35mm

For the specific supply of "DALI 2" drivers, please contact:
support@om-light.com

Data according to regulations

2019/2020/EU supplemented by 2021/341 | 2019/2015/EU supplemented by 2021/340/EU Energy Consumption Labelling Ordinance. This product contains light sources of efficiency class C Model Identifier 89603016