



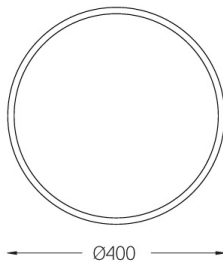
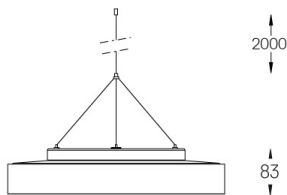
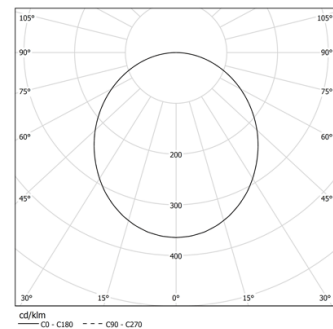
Design: O/M

Pendant luminaire made of aluminium body with electrostatic 100% polyester paint with textured-finish suitable for adverse climate conditions. Frosted acrylic diffuser with perfect light uniformity. Suspension system with millimetric height adjustment ordered separately. Power supply base made of clear polycarbonate, clear power cable (5x0,75mm²) and steel suspension cables (1,2mm) with millimetric height adjustment system supplied separately.

LED: CRI>80 / >50.000h, L80/B10 / 3-step MacAdam
Power supply included.
IP43 | 230Vac | 50/60Hz



LED	3000K	Light Source	Luminaire
Power	21W		26W
Flux	3230lm		2185lm
Efficiency	154lm/W		84lm/W
LOR	-		68%
UGR	-		<25



Finishes

- .01 White / RAL 9010
- .02 Black / RAL 9005
- .03 Grey / RAL 9006

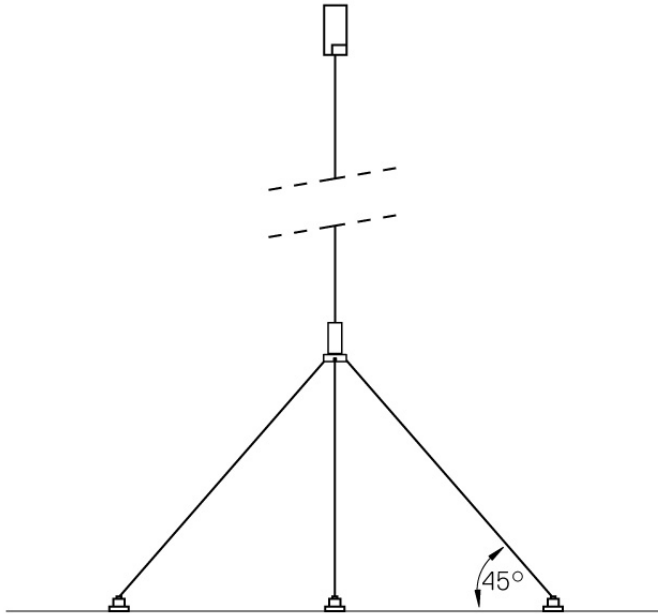
Mandatory

- 59080 Pendant fitting accessory
- 56051 Clear Base DALI
- ø60x35mm

For the specific supply of "DALI 2" drivers, please contact:
support@om-light.com

Data according to regulations

2019/2020/EU supplemented by 2021/341 | 2019/2015/EU supplemented by 2021/340/EU Energy Consumption Labelling Ordinance. This product contains a light source of efficiency class D Model Identifier 89603355

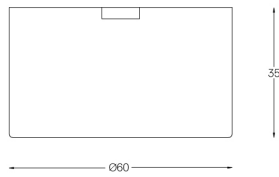
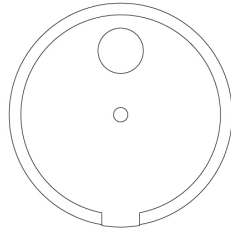


Sky pendant fitting accessory

Sky Pendant

Clear Base DALI

56051



DALI (5x0,75mm²). Includes:
One clear polycarbonate power supply base (IP20).
One clear power cable (2m).
One clear power supply base must be applied every 30m (ø60x35mm)
Steel cable ordered separately