

5,6W / 430lm / 4000K / DALI / Flood 59° / ø45mm

64480

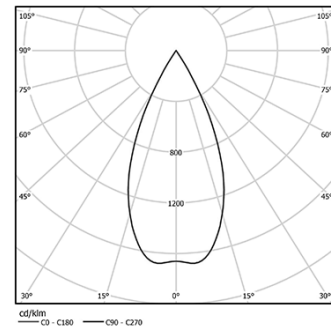


Design: O/M + Bartenbach GmbH
 Recessed spotlight with die-cast aluminium body with electrostatic 100% polyester paint finish.
 Spot-lens with individual complex surface rips to provide a focal light and an extremely narrow beam.
 Orientable by 150° horizontal rotation and 330° vertical rotation.
 Driver included.

LED CRI>90 / >50.000h, L80/B10
 2-step MacAdam / Driver included.
 IP20 | 230Vac | 50/60Hz



LED	4000K	Light Source	Luminaire
Power	5,6W	430lm	7W
Flux	460lm	82lm/W	61lm/W
Efficiency	-	-	93%
LOR	-	-	230Vac
Operating Condition	-	-	-

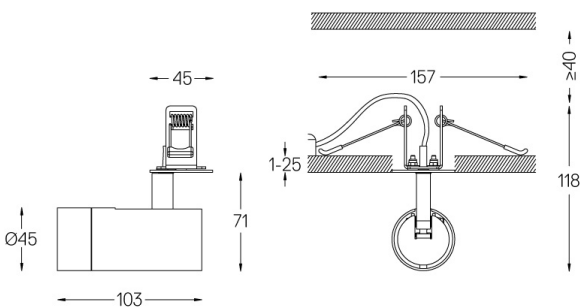


Beam angle
Flood 59°

Application



Weight
0,27Kg



Finishes

- .01 White / RAL 9010
- .02 Black / RAL 9005

Optional

- 59072** 1/4 CTO
 ø35x1,1mm
- 59073** 1/2 CTO
 ø35x1,1mm
- 59074** Louvre
 ø35x2mm
- 59075** Soft diffuser
 ø35x2mm

The cutout dimensions are for plasterboard ceilings. For other type of material please contact: support@om-light.com

Data according to regulations

2019/2020/EU supplemented by 2021/341 |2019/2015/EU supplemented by 2021/340/EU Energy Consumption Labelling Ordinance. This product contains a light source of efficiency class G Model Identifier 4053560313L