

5,6W / 215lm / 4000K / On/Off / Spot 15° / ø45mm

64470



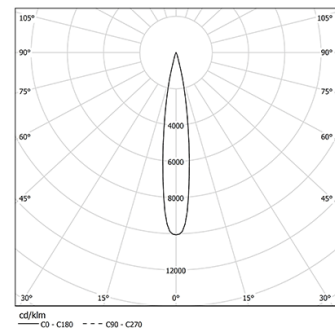
Design: O/M + Bartenbach GmbH

Recessed spotlight with die-cast aluminium body with electrostatic 100% polyester paint finish. Spot-lens with individual complex surface rips to provide a focal light and an extremely narrow beam. Orientable by 150° horizontal rotation and 330° vertical rotation. Driver included.

LED CRI>90 / >50.000h, L80/B10  
2-step MacAdam / Driver included.  
IP20 | 230Vac | 50/60Hz



LED	4000K	Light Source	Luminaire
Power		5,6W	7W
Flux		480lm	215lm
Efficiency		86lm/W	31lm/W
LOR		-	45%
Operating Condition		-	230Vac

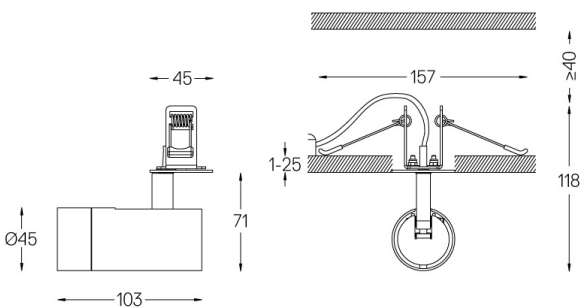


Beam angle  
Spot 15°

Application



Weight  
0,27Kg



Finishes

- .01 White / RAL 9010
- .02 Black / RAL 9005

Optional

- 59072 1/4 CTO  
ø35x1,1mm
- 59073 1/2 CTO  
ø35x1,1mm
- 59074 Louvre  
ø35x2mm
- 59075 Soft diffuser  
ø35x2mm

The cutout dimensions are for plasterboard ceilings. For other type of material please contact: support@om-light.com