

5,6W / 350lm / 2700K / DALI / Medium 41° / ø45mm

64454



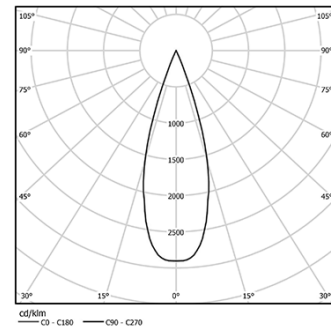
Design: O/M + Bartenbach GmbH

Recessed spotlight with die-cast aluminium body with electrostatic 100% polyester paint finish. Spot-lens with individual complex surface rips to provide a focal light and an extremely narrow beam. Orientable by 150° horizontal rotation and 330° vertical rotation. Power supply included.

LED CRI>90 / >50.000h, L80/B10
2-step MacAdam / Power supply included.
IP20 | 230Vac | 50/60Hz



LED	2700K	Light Source	Luminaire
Power	5,6W		7W
Flux	460lm		350lm
Efficiency	82lm/W		50lm/W
LOR	-		76%
UGR	-		230Vac

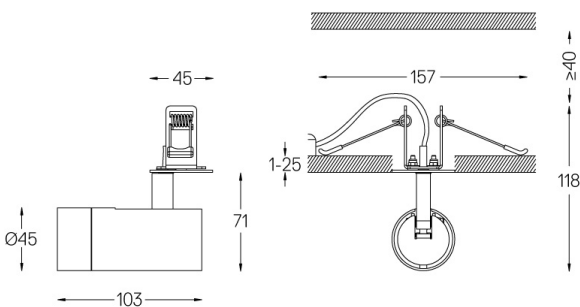


Beam angle
Medium 41°

Application



Weight
0,27Kg



Finishes

- .01 White / RAL 9010
- .02 Black / RAL 9005

Optional

- 59072 1/4 CTO
ø35x1,1mm
- 59073 1/2 CTO
ø35x1,1mm
- 59074 Louvre
ø35x2mm
- 59075 Soft diffuser
ø35x2mm

The cutout dimensions are for plasterboard ceilings. For other type of material please contact: support@om-light.com