

45+90W / 2300+4600lm / 4000K / On/Off /  
Diffuse Direct/ Indirect / 2821mm

64182



**Structure**  
1 Profile  
2 End caps  
3 Fitting accessories  
4 Profile coupling

**Diffuser**  
A Polycarbonate frost  
diffuser  
**Light Source**  
B LED Modules

Design: Eduardo Souto de Moura  
MGB Pendant Indirect module with housing made of aluminium profile with 25micron maximum corrosion resistance anodization with textured electrostatic 100% polyester paint.

Frosted acrylic diffuser with user friendly clipping system.

Steel end caps with textured electrostatic 100% polyester paint.

Frosted acrylic diffuser for direct light and indirect light.

Fitting accessories supplied separately.

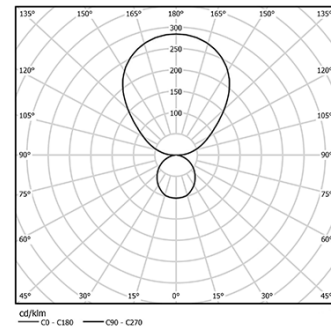
LED CRI>80 / >50.000h, L80/B10 / 3-step MacAdam

Power supply included.

IP20 | 230Vac | 50/60Hz



| LED        | 4000K | Light Source | Luminaire   |
|------------|-------|--------------|-------------|
| Power      |       | 45+90W       | 65+130W     |
| Flux       |       | 5750+11500lm | 2300+4600lm |
| Efficiency |       | 128lm/W      | 35lm/W      |
| LOR        |       | -            | 40%         |
| UGR        |       | -            | <25         |

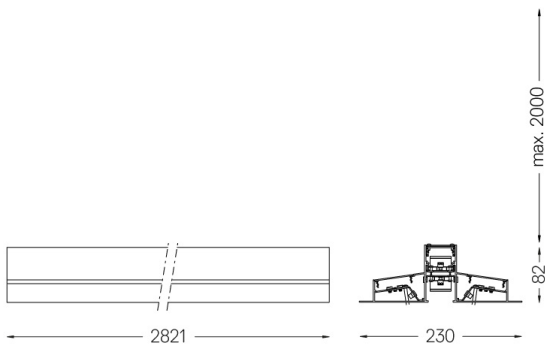


Beam angle  
Diffuse Direct/  
Indirect

Application



Weight  
14Kg



Finishes

- .01 White / RAL 9010
- .02 Black / RAL 9005
- .03 Grey / RAL 9006

Mandatory

54034 Clear base

Ø60x35mm

54080 Aluminium base

Ø60x37mm