

32+63W / 1200+2400lm / 2700K / DALI /  
Diffuse Direct/ Indirect / 1485mm

64149



Design: Eduardo Souto de Moura  
MGB Pendant Indirect module with housing made of aluminium profile with 25micron maximum corrosion resistance anodization with textured electrostatic 100% polyester paint.

Frosted acrylic diffuser with user friendly clipping system.

Steel end caps with textured electrostatic 100% polyester paint.

Frosted acrylic diffuser for direct light and indirect light.

Fitting accessories supplied separately.

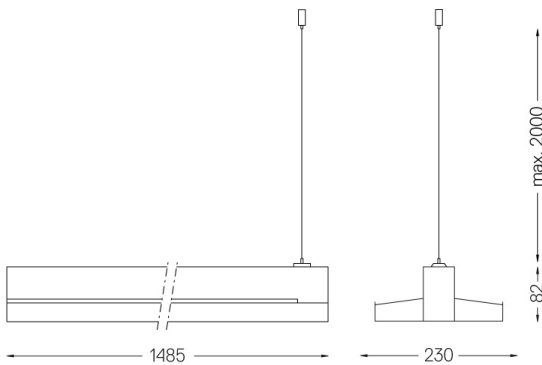
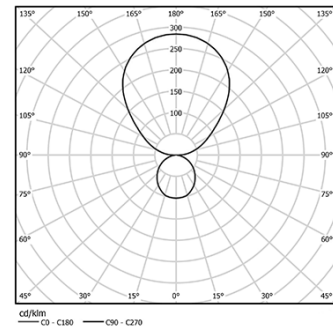
LED CRI>90 / >50.000h, L80/B10 / 3-step MacAdam

Power supply included.

IP20 | 230Vac | 50/60Hz



LED	2700K	Light Source	Luminaire
Power		32+63W	45+90W
Flux		3000+6000lm	1200+2400lm
Efficiency		95lm/W	27lm/W
LOR		-	40%
UGR		-	<25



### Finishes

- .01 White / RAL 9010
- .02 Black / RAL 9005
- .03 Grey / RAL 9006

### Mandatory

- 56051 Clear base DALI  
Ø60x35mm
- 54081 Aluminium base DALI  
Ø60x37mm

For the specific supply of "DALI 2" drivers, please contact:  
support@om-light.com