

45W / 2300lm / 4000K / On/Off / Diffuse  
indirect / 1411mm

64136



Design: Eduardo Souto de Moura

MGB Pendant Indirect module with housing made of aluminium profile with 25micron maximum corrosion resistance anodization with textured electrostatic 100% polyester paint.

Frosted acrylic diffuser with user friendly clipping system.

Steel end caps with textured electrostatic 100% polyester paint.

Frosted acrylic diffuser for indirect light.

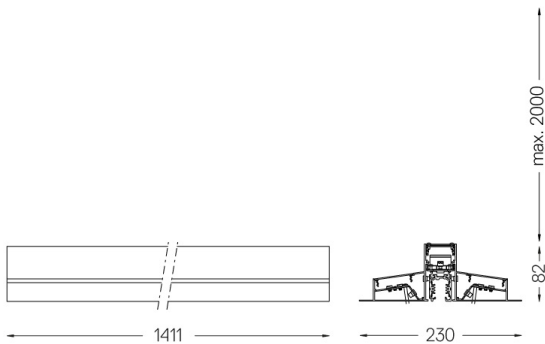
Three-phase track (On/Off or DALI) for installing spotlights.

Fitting accessories supplied separately.

LED CRI>80 / >50.000h, L80/B10 / 3-step MacAdam  
Power supply included.  
IP20 | 230Vac | 50/60Hz



| LED        | 4000K | Light Source | Luminaire |
|------------|-------|--------------|-----------|
| Power      |       | 45W          | 65W       |
| Flux       |       | 5750lm       | 2300lm    |
| Efficiency |       | 128lm/W      | 35lm/W    |
| LOR        |       | -            | 40%       |
| UGR        |       | -            | <25       |



### Finishes

- .01 White / RAL 9010
- .02 Black / RAL 9005
- .03 Grey / RAL 9006

### Mandatory

- 54034 Clear base  
Ø60x35mm
- 54080 Aluminium base  
Ø60x37mm