

126W / 6600lm / 3000K / DALI / Diffuse  
indirect / 2821mm

64135



**Structure**  
1 Profile  
2 End caps  
3 Fitting accessories  
4 Profile coupling

**Diffuser**  
A Polycarbonate frost  
diffuser  
**Light Source**  
B LED Modules

Design: Eduardo Souto de Moura  
MGB Pendant Indirect module with housing made of aluminium profile with 25micron maximum corrosion resistance anodization with textured electrostatic 100% polyester paint.

Frosted acrylic diffuser with user friendly clipping system.

Steel end caps with textured electrostatic 100% polyester paint.

Frosted acrylic diffuser for indirect light.

Three-phase track (On/Off or DALI) for installing spotlights.

Fitting accessories supplied separately.

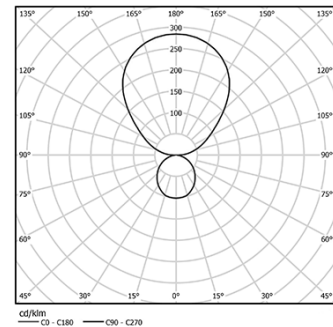
LED CRI>80 / >50.000h, L80/B10 / 3-step MacAdam

Power supply included.

IP20 | 230Vac | 50/60Hz



LED	3000K	Light Source	Luminaire
Power	126W		180W
Flux	16400lm		6600lm
Efficiency	130lm/W		37lm/W
LOR	-		40%
UGR	-		<25



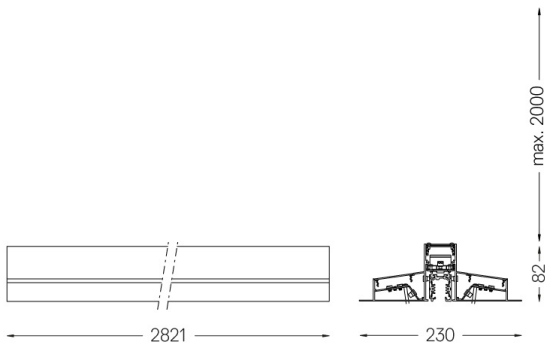
Beam angle  
Diffuse indirect

Application



Weight  
14Kg

mm



Finishes

- .01 White / RAL 9010
- .02 Black / RAL 9005
- .03 Grey / RAL 9006

Mandatory

56051 Clear base DALI

Ø60x35mm

54081 Aluminium base DALI

Ø60x37mm

For the specific supply of "DALI 2" drivers, please contact:  
support@om-light.com