

45W / 2300lm / 3000K / DALI / Diffuse  
indirect / 1411mm

64132



Design: Eduardo Souto de Moura  
MGB Pendant Indirect module with housing made of aluminium profile with 25micron maximum corrosion resistance anodization with textured electrostatic 100% polyester paint.

Frosted acrylic diffuser with user friendly clipping system.

Steel end caps with textured electrostatic 100% polyester paint.

Frosted acrylic diffuser for indirect light.

Three-phase track (On/Off or DALI) for installing spotlights.

Fitting accessories supplied separately.

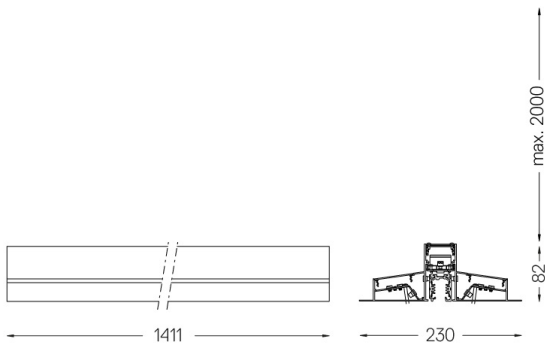
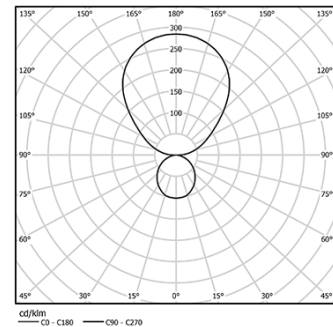
LED CRI>80 / >50.000h, L80/B10 / 3-step MacAdam

Power supply included.

IP20 | 230Vac | 50/60Hz



LED	3000K	Light Source	Luminaire
Power	45W	5750lm	65W
Flux	5750lm	128lm/W	2300lm
Efficiency	128lm/W	-	35lm/W
LOR	-	-	40%
UGR	-	-	<25



### Finishes

- .01 White / RAL 9010
- .02 Black / RAL 9005
- .03 Grey / RAL 9006

### Mandatory

- 56051 Clear base DALI  
Ø60x35mm
- 54081 Aluminium base DALI  
Ø60x37mm

For the specific supply of "DALI 2" drivers, please contact:  
support@om-light.com