

45W / 1700lm / 2700K / On/Off / Diffuse  
indirect / 1411mm

64120



**Structure**  
1 Profile  
2 End caps  
3 Fitting accessories  
4 Profile coupling

**Diffuser**  
A Polycarbonate frost  
diffuser  
**Light Source**  
B LED Modules

Design: Eduardo Souto de Moura  
MGB Pendant Indirect module with housing made of aluminium profile with 25micron maximum corrosion resistance anodization with textured electrostatic 100% polyester paint.  
Frosted acrylic diffuser with user friendly clipping system.  
Steel end caps with textured electrostatic 100% polyester paint.  
Frosted acrylic diffuser for indirect light.  
Three-phase track (On/Off or DALI) for installing spotlights.  
Fitting accessories supplied separately.

LED CRI>90 / >50.000h, L80/B10 / 3-step MacAdam  
Power supply included.  
IP20 | 230Vac | 50/60Hz



LED	2700K	Light Source	Luminaire
Power		45W	65W
Flux		4250lm	1700lm
Efficiency		94lm/W	26lm/W
LOR		-	40%
UGR		-	<25

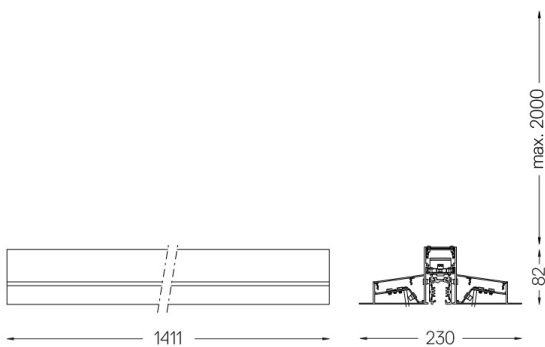


Beam angle  
Diffuse indirect

Application



Weight  
7Kg



Finishes

- .01 White / RAL 9010
- .02 Black / RAL 9005
- .03 Grey / RAL 9006

Mandatory

- 54034 Clear base  
Ø60x35mm
- 54080 Aluminium base  
Ø60x37mm