

126W / 6600lm / 4000K / DALI / Diffuse  
indirect / 2895mm

64119



Design: Eduardo Souto de Moura

MGB Pendant Indirect module with housing made of aluminium profile with 25micron maximum corrosion resistance anodization with textured electrostatic 100% polyester paint.

Frosted acrylic diffuser with user friendly clipping system.

Steel end caps with textured electrostatic 100% polyester paint.

Frosted acrylic diffuser for indirect light.

Three-phase track (On/Off or DALI) for installing spotlights.

Fitting accessories supplied separately.

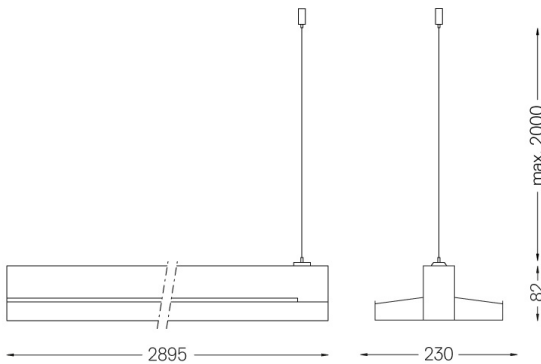
LED CRI>80 / >50.000h, L80/B10 / 3-step MacAdam  
Power supply included.  
IP20 | 230Vac | 50/60Hz



LED	4000K	Light Source	Luminaire
Power	126W		180W
Flux	16400lm		6600lm
Efficiency	130lm/W		37lm/W
LOR	-		40%
UGR	-		<25



mm



#### Finishes

- .01 White / RAL 9010
- .02 Black / RAL 9005
- .03 Grey / RAL 9006

#### Mandatory

- 56051 Clear base DALI  
Ø60x35mm
- 54081 Aluminium base DALI  
Ø60x37mm

For the specific supply of "DALI 2" drivers, please contact:  
support@om-light.com