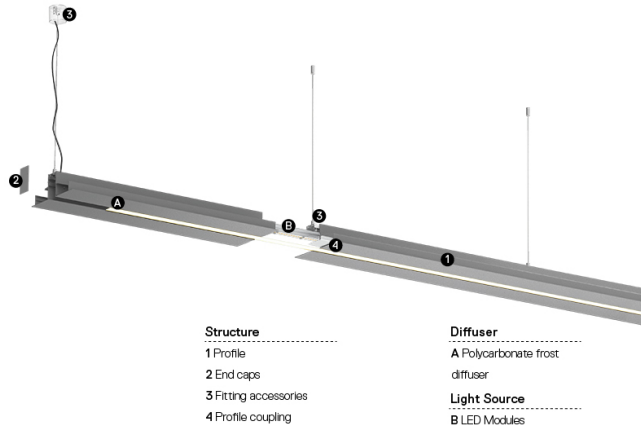


45W / 2300lm / 4000K / DALI / Diffuse
indirect / 1485mm

64116



Structure
1 Profile
2 End cap
3 Fitting accessories
4 Profile coupling

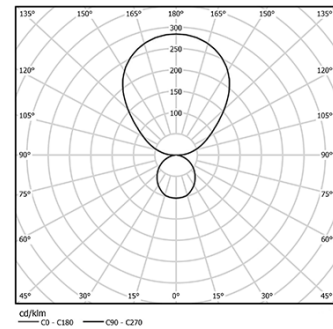
Diffuser
A Polycarbonate frost
diffuser
Light Source
B LED Modules

Design: Eduardo Souto de Moura
MGB Pendant Indirect module with housing made of aluminium profile with 25micron maximum corrosion resistance anodization with textured electrostatic 100% polyester paint.
Frosted acrylic diffuser with user friendly clipping system.
Steel end caps with textured electrostatic 100% polyester paint.
Frosted acrylic diffuser for indirect light.
Three-phase track (On/Off or DALI) for installing spotlights.
Fitting accessories supplied separately.

LED CRI>80 / >50.000h, L80/B10 / 3-step MacAdam
Power supply included.
IP20 | 230Vac | 50/60Hz



LED	4000K	Light Source	Luminaire
Power		45W	65W
Flux		5750lm	2300lm
Efficiency		128lm/W	35lm/W
LOR		-	40%
UGR		-	<25



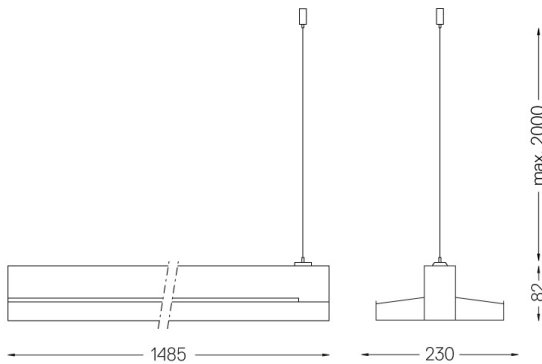
Beam angle
Diffuse indirect

Application



Weight
7Kg

mm



Finishes

- .01 White / RAL 9010
- .02 Black / RAL 9005
- .03 Grey / RAL 9006

Mandatory

- 56051 Clear base DALI
Ø60x35mm
- 54081 Aluminium base DALI
Ø60x37mm

For the specific supply of "DALI 2" drivers, please contact:
support@om-light.com