

4,5W / 560lm / 4000K / DALI / Flood 56° /
ø85mm

63620



Design: O/M + Bartenbach GmbH

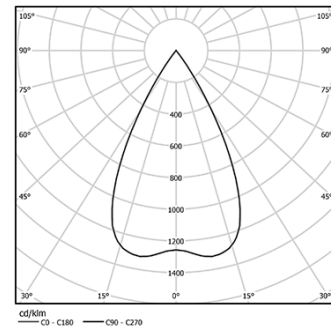
Surface/Pendant luminaire with aluminium die-cast body and heat sink with electrostatic 100% polyester paint finish.

Spot-lens with individual complex surface rips to provide a focal light and an extremely narrow beam. Fitting accessories ordered separately

LED CRI>80 / >50.000h, L80/B10
2-step MacAdam / Power supply included.
IP20 | 230Vac | 50/60Hz



LED	4000K	Light Source	Luminaire
Power		4,5W	5,8W
Flux		620lm	560lm
Efficiency		138lm/W	97lm/W
LOR		-	90%
UGR		-	<16

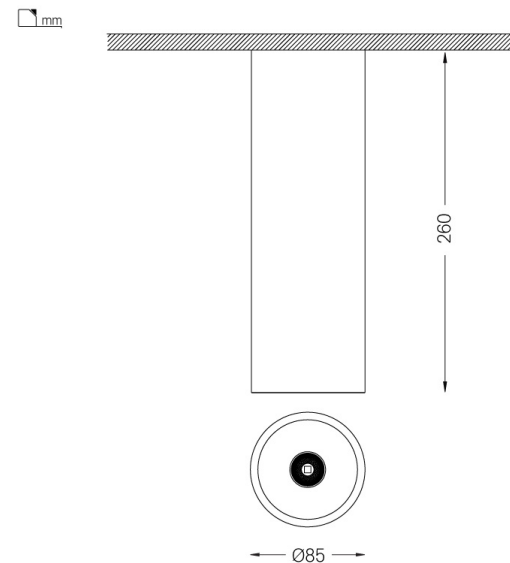


Beam angle
Flood 56°

Application



Weight
0,53Kg



Finishes

- .01 White / RAL 9010
- .02 Black / RAL 9005

Mandatory

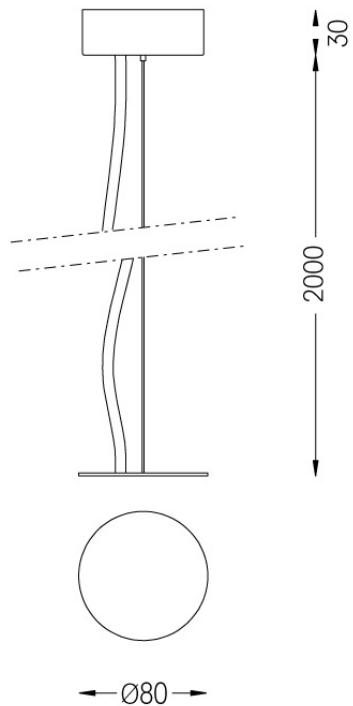
59051 Accessory for pendant installation
ø80x35mm

For the specific supply of "DALI 2" drivers, please contact:
support@om-light.com

One Surface/Pendant

Accessory for pendant
installation

59051



Accessory for pendant
installation
for One

Weight
0,01Kg

Finishes

- .01 White / RAL 9010
- .02 Black / RAL 9005