

4,5W / 460lm / 4000K / DALI / Medium 40° /  
ø85mm

63618



Design: O/M + Bartenbach GmbH

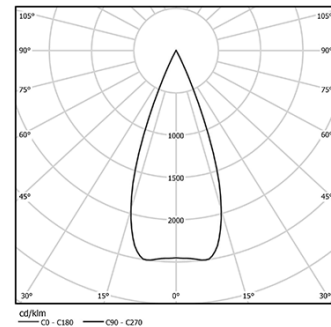
Surface/Pendant luminaire with aluminium die-cast body and heat sink with electrostatic 100% polyester paint finish.

Spot-lens with individual complex surface rips to provide a focal light and an extremely narrow beam. Fitting accessories ordered separately

LED CRI>80 / >50.000h, L80/B10  
2-step MacAdam / Power supply included.  
IP20 | 230Vac | 50/60Hz



LED	4000K	Light Source	Luminaire
Power		4,5W	5,8W
Flux		620lm	460lm
Efficiency		138lm/W	80lm/W
LOR		-	74%
UGR		-	<10



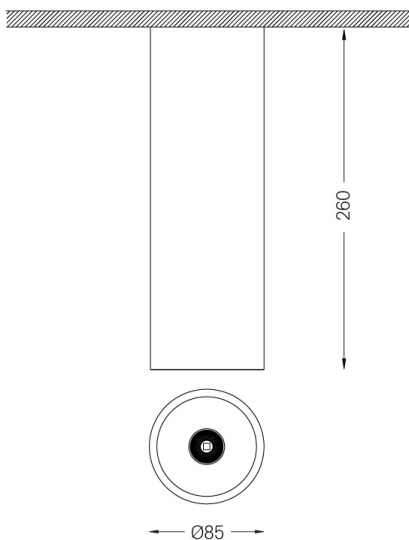
Beam angle  
Medium 40°

Application



Weight  
0,53Kg

mm



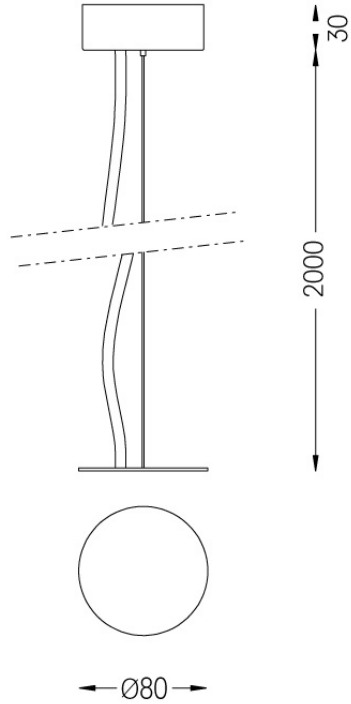
Finishes

- .01 White / RAL 9010
- .02 Black / RAL 9005

Mandatory

59051 Accessory for pendant installation  
ø80x35mm

For the specific supply of "DALI 2" drivers, please contact:  
support@om-light.com



Accessory for pendant  
installation

59051



Accessory for pendant installation  
for One

Weight  
0,01Kg

Finishes

- .01 White / RAL 9010
- .02 Black / RAL 9005