

9,8W / 790lm / 4000K / DALI / Spot 15° /
ø85mm

63617



Design: O/M + Bartenbach GmbH

Surface/Pendant luminaire with aluminium die-cast body and heat sink with electrostatic 100% polyester paint finish.

Spot-lens with individual complex surface rips to provide a focal light and an extremely narrow beam. Fitting accessories ordered separately

LED CRI>80 / >50.000h, L80/B10
2-step MacAdam / Power supply included.
IP20 | 230Vac | 50/60Hz



LED	4000K	Light Source	Luminaire
Power	9,8W		12,3W
Flux	1360lm		790lm
Efficiency	139lm/W		64lm/W
LOR	-		58%
UGR	-		<10

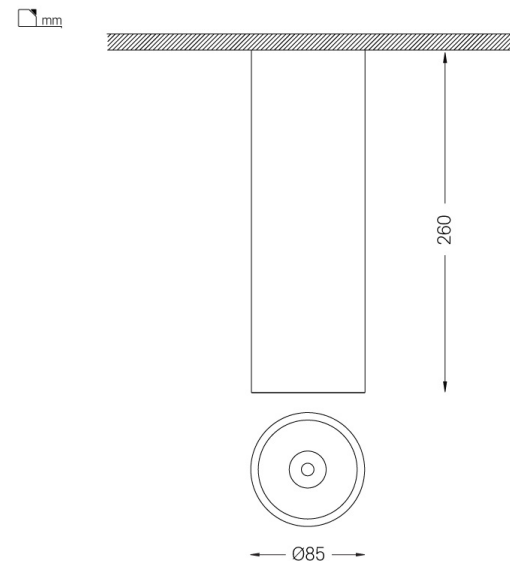


Beam angle
Spot 15°

Application



Weight
0,58Kg



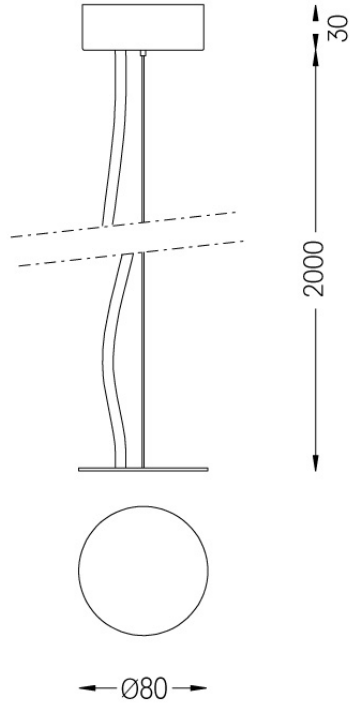
Finishes

- .01 White / RAL 9010
- .02 Black / RAL 9005

Mandatory

59051 Accessory for pendant installation
ø80x35mm

For the specific supply of "DALI 2" drivers, please contact:
support@om-light.com



Accessory for pendant
installation

59051



Accessory for pendant
installation
for One

Weight
0,01Kg

Finishes

- .01 White / RAL 9010
- .02 Black / RAL 9005