

9,8W / 1000lm / 4000K / On/Off / Medium
40° / ø85mm

63613



Design: O/M + Bartenbach GmbH

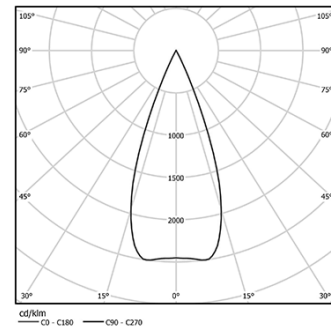
Surface/Pendant luminaire with aluminium die-cast body and heat sink with electrostatic 100% polyester paint finish.

Spot-lens with individual complex surface rips to provide a focal light and an extremely narrow beam. Fitting accessories ordered separately

LED CRI>80 / >50.000h, L80/B10
2-step MacAdam / Power supply included.
IP20 | 230Vac | 50/60Hz



LED	4000K	Light Source	Luminaire
Power		9,8W	12,3W
Flux		1360lm	1000lm
Efficiency		139lm/W	82lm/W
LOR		-	74%
UGR		-	<10

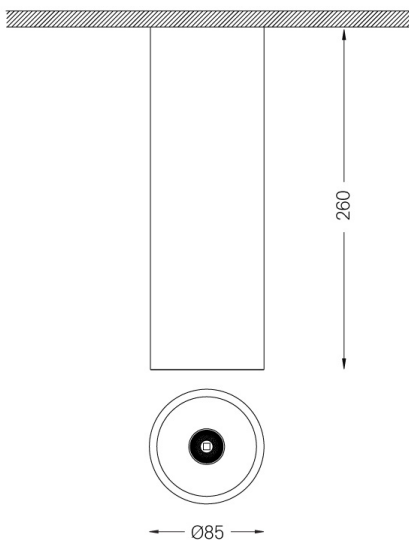


Beam angle
Medium 40°

Application



Weight
0,53Kg



Finishes

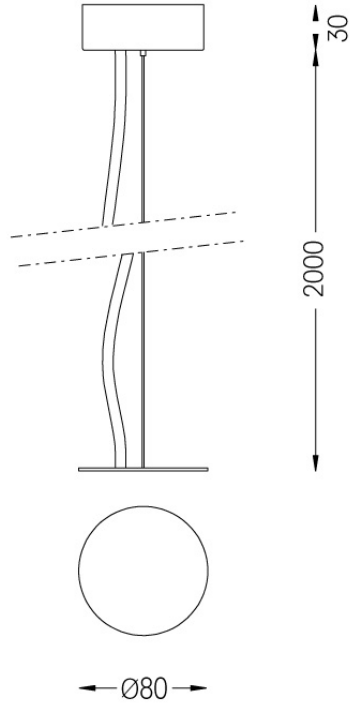
- .01 White / RAL 9010
- .02 Black / RAL 9005

Mandatory

59051 Accessory for pendant installation
ø80x35mm

Data according to regulations

2019/2020/EU supplemented by 2021/341 | 2019/2015/EU supplemented by 2021/340/EU Energy Consumption Labelling Ordinance. This product contains a light source of efficiency class F Model Identifier 2053560257H



Accessory for pendant
installation

59051



Accessory for pendant
installation
for One

Weight
0,01Kg

Finishes

- .01 White / RAL 9010
- .02 Black / RAL 9005