

4,5W / 470lm / 3000K / DALI / Flood 56° /  
ø85mm

63608



Design: O/M + Bartenbach GmbH

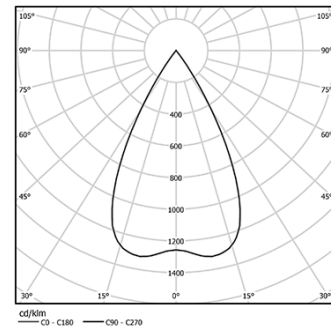
Surface/Pendant luminaire with aluminium die-cast body and heat sink with electrostatic 100% polyester paint finish.

Spot-lens with individual complex surface rips to provide a focal light and an extremely narrow beam. Fitting accessories ordered separately

LED CRI>90 / >50.000h, L80/B10  
2-step MacAdam / Power supply included.  
IP20 | 230Vac | 50/60Hz



| LED        | 3000K   | Light Source | Luminaire |
|------------|---------|--------------|-----------|
| Power      | 4,5W    | 5,8W         |           |
| Flux       | 520lm   | 470lm        |           |
| Efficiency | 116lm/W | 81lm/W       |           |
| LOR        | -       | 90%          |           |
| UGR        | -       | <16          |           |

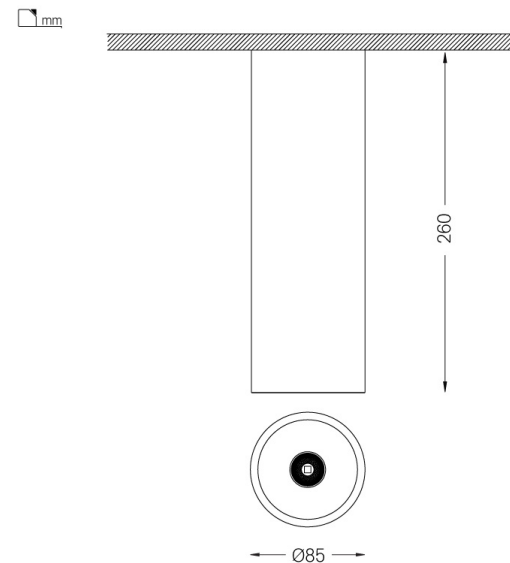


Beam angle  
Flood 56°

Application



Weight  
0,53Kg



Finishes

- .01 White / RAL 9010
- .02 Black / RAL 9005

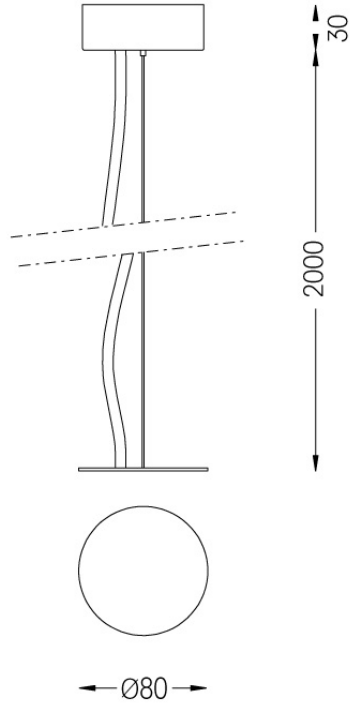
Mandatory

59051 Accessory for pendant installation  
ø80x35mm

For the specific supply of "DALI 2" drivers, please contact:  
support@om-light.com

Data according to regulations

2019/2020/EU supplemented by 2021/341 | 2019/2015/EU  
supplemented by 2021/340/EU Energy Consumption Labelling  
Ordinance. This product contains a light source of efficiency class F  
Model Identifier 2053560257L



Accessory for pendant  
installation

59051



Accessory for pendant  
installation  
for One

Weight  
0,01Kg

Finishes

- .01 White / RAL 9010
- .02 Black / RAL 9005