

9,8W / 860lm / 2700K / DALI / Flood 56° /  
ø85mm

63597



Design: O/M + Bartenbach GmbH

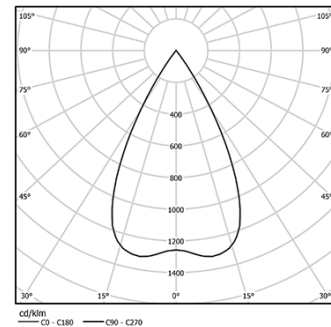
Surface/Pendant luminaire with aluminium die-cast body and heat sink with electrostatic 100% polyester paint finish.

Spot-lens with individual complex surface rips to provide a focal light and an extremely narrow beam. Fitting accessories ordered separately

LED CRI>90 / >50.000h, L80/B10  
2-step MacAdam / Power supply included.  
IP20 | 230Vac | 50/60Hz



LED	2700K	Light Source	Luminaire
Power	9,8W		12,3W
Flux	955lm		860lm
Efficiency	97lm/W		70lm/W
LOR	-		90%
UGR	-		<19

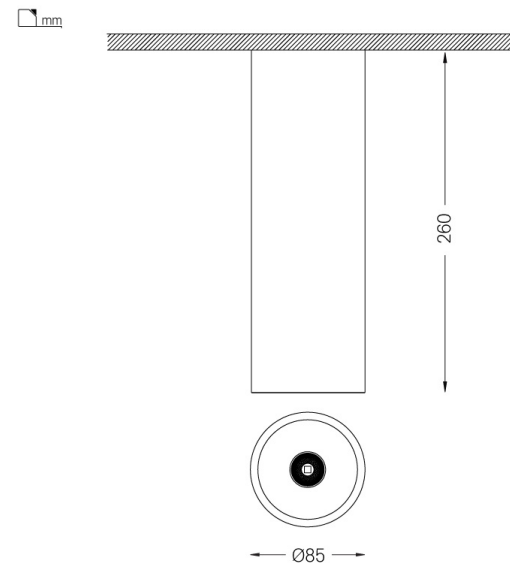


Beam angle  
Flood 56°

Application



Weight  
0.53Kg



Finishes

- .01 White / RAL 9010
- .02 Black / RAL 9005

Mandatory

59051 Accessory for pendant installation  
ø80x35mm

For the specific supply of "DALI 2" drivers, please contact:  
support@om-light.com

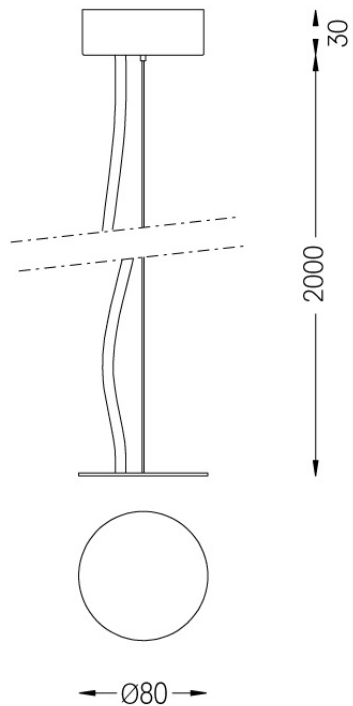
Data according to regulations

2019/2020/EU supplemented by 2021/341 | 2019/2015/EU  
supplemented by 2021/340/EU Energy Consumption Labelling  
Ordinance. This product contains a light source of efficiency class F  
Model Identifier 2053560245H

## One Surface/Pendant

Accessory for pendant  
installation

59051



Accessory for pendant  
installation  
for One

Weight  
0,01Kg

Finishes  
○ .01 White / RAL 9010  
● .02 Black / RAL 9005