

4,5W / 430lm / 2700K / DALI / Flood 56° /
ø85mm

63596



Design: O/M + Bartenbach GmbH

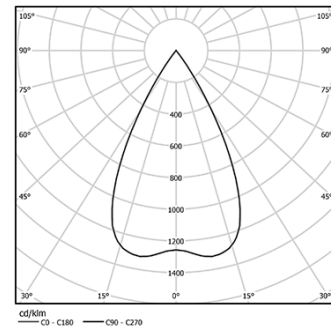
Surface/Pendant luminaire with aluminium die-cast body and heat sink with electrostatic 100% polyester paint finish.

Spot-lens with individual complex surface rips to provide a focal light and an extremely narrow beam. Fitting accessories ordered separately

LED CRI>90 / >50.000h, L80/B10
2-step MacAdam / Power supply included.
IP20 | 230Vac | 50/60Hz



| LED | 2700K | Light Source | Luminaire |
|------------|---------|--------------|-----------|
| Power | 4,5W | | 5,8W |
| Flux | 480lm | | 430lm |
| Efficiency | 107lm/W | | 75lm/W |
| LOR | - | | 90% |
| UGR | - | | <16 |

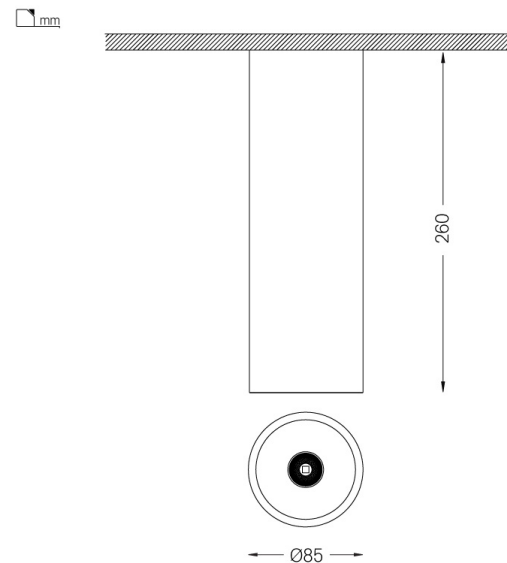


Beam angle
Flood 56°

Application



Weight
0,53Kg



Finishes

- .01 White / RAL 9010
- .02 Black / RAL 9005

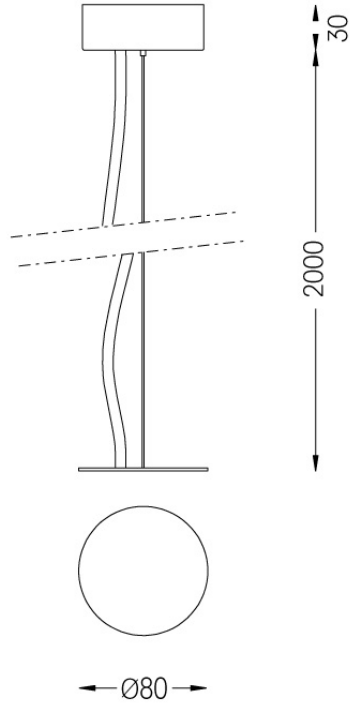
Mandatory

59051 Accessory for pendant installation
ø80x35mm

For the specific supply of "DALI 2" drivers, please contact:
support@om-light.com

Data according to regulations

2019/2020/EU supplemented by 2021/341 | 2019/2015/EU
supplemented by 2021/340/EU Energy Consumption Labelling
Ordinance. This product contains a light source of efficiency class F
Model Identifier 2053560245L



Accessory for pendant
installation

59051



Accessory for pendant
installation
for One

Weight
0,01Kg

Finishes

- .01 White / RAL 9010
- .02 Black / RAL 9005