

## One Surface/Pendant

4,5W / 430lm / 2700K / On/Off / Flood 56° /  
ø85mm

63590



Design: O/M + Bartenbach GmbH

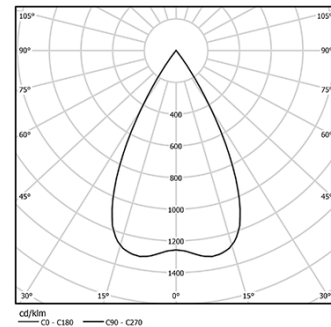
Surface/Pendant luminaire with aluminium die-cast body and heat sink with electrostatic 100% polyester paint finish.

Spot-lens with individual complex surface rips to provide a focal light and an extremely narrow beam. Fitting accessories ordered separately

LED CRI>90 / >50.000h, L80/B10  
2-step MacAdam / Power supply included.  
IP20 | 230Vac | 50/60Hz



LED	2700K	Light Source	Luminaire
Power	4,5W		5,8W
Flux	480lm		430lm
Efficiency	107lm/W		75lm/W
LOR	-		90%
UGR	-		<16

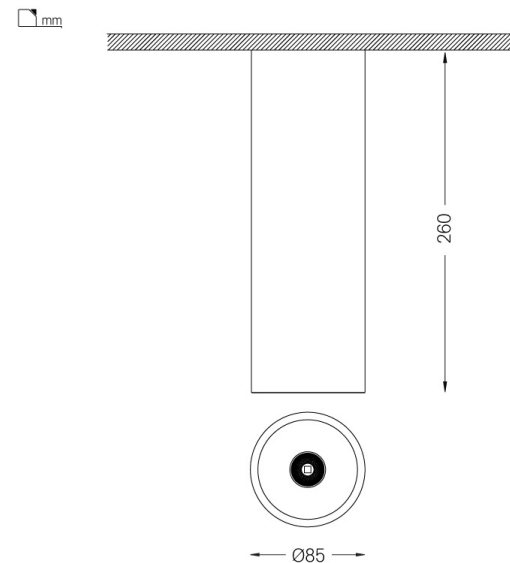


Beam angle  
Flood 56°

Application



Weight  
0.53Kg



Finishes

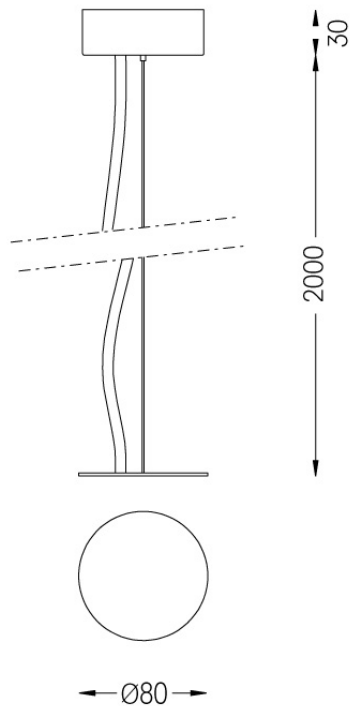
- .01 White / RAL 9010
- .02 Black / RAL 9005

Mandatory

59051 Accessory for pendant installation  
ø80x35mm

Data according to regulations

2019/2020/EU supplemented by 2021/341 | 2019/2015/EU supplemented by 2021/340/EU Energy Consumption Labelling Ordinance. This product contains a light source of efficiency class F Model Identifier 2053560245L



Accessory for pendant  
installation

59051



Accessory for pendant  
installation  
for One

Weight  
0,01Kg

Finishes

- .01 White / RAL 9010
- .02 Black / RAL 9005