

5,9W / 630lm / 4000K / On/Off /  
Asymmetric / ø54mm

63522



Design: O/M + Bartenbach GmbH

Ceiling-recessed luminaire with aluminium die-cast body and heat sink with electrostatic 100% polyester paint finish.

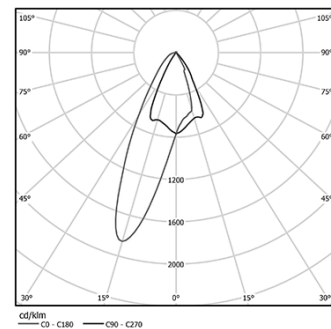
Accurate reflector for a defined and controlled beam of light, achieving maximum efficiency.

Recessing accessory supplied separately.

LED CRI>80 / >50.000h, L80/B10  
2-step MacAdam / Power supply included.  
IP20 | 230Vac | 50/60Hz



LED	4000K	Light Source	Luminaire
Power		5,9W	7,4W
Flux		740lm	630lm
Efficiency		125lm/W	85lm/W
LOR		-	85%
UGR		-	-



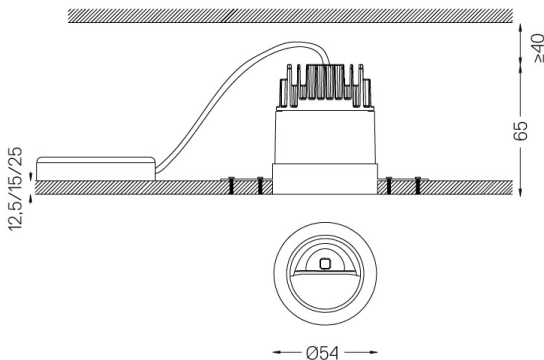
Beam angle  
Asymmetric

Application



Weight

mm



Finishes

- .01 White / RAL 9010
- .02 Black / RAL 9005

Mandatory

- 59039** Trimless accessory (12.5mm ceilings)  
155x18mm
- 59040** Trimless accessory (15mm ceilings)  
155x20mm
- 59041** Trimless accessory (25mm ceilings)  
155x30mm

The cutout dimensions are for plasterboard ceilings. For other type of material please contact: support@om-light.com

Data according to regulations

2019/2020/EU supplemented by 2021/341 | 2019/2015/EU  
supplemented by 2021/340/EU Energy Consumption Labelling  
Ordinance. This product contains a light source of efficiency class E  
Model Identifier 4053560100

## One Asymmetric Trimless

Trimless accessory (12.5mm  
ceilings)

59039

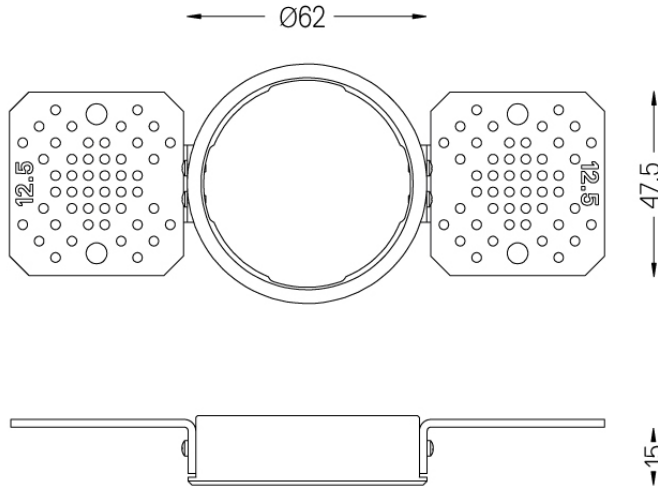


Ø65



Trimless accessory One ø60  
For 12.5mm ceilings.

Weight  
0,01Kg



## One Asymmetric Trimless

Trimless accessory (15mm  
ceilings)

59040

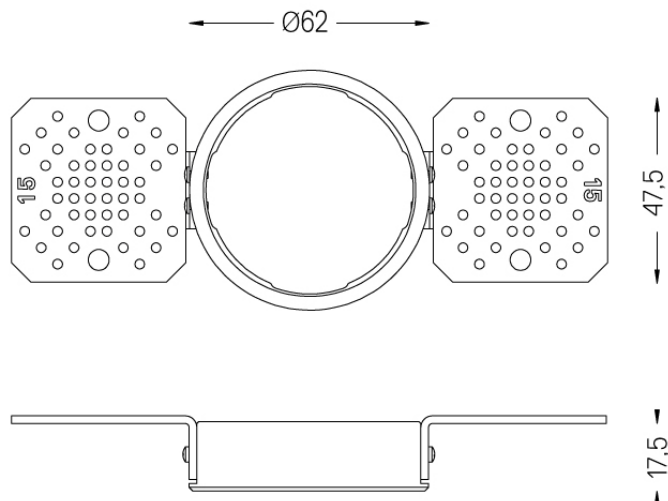


Ø65



Trimless accessory One ø60  
For 15mm ceilings.

Weight  
0,01Kg



## One Asymmetric Trimless

Trimless accessory (25mm  
ceilings)

59041



Ø65



Trimless accessory One ø60  
For 25mm ceilings.

Weight  
0,01Kg

