

5,6W / 430lm / 4000K / On/Off / Flood 56° / ø54mm

63521



Design: O/M + Bartenbach GmbH

Ceiling-recessed luminaire with aluminium die-cast body and heat sink with electrostatic 100% polyester paint finish.

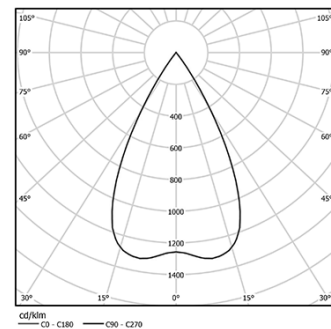
Lightcore optics for defined and perfectly controlled beam of light.

Recessing accessory supplied separately.

LED CRI>80 / >50.000h, L80/B10  
2-step MacAdam / Power supply included.  
IP20 | 230Vac | 50/60Hz



LED	4000K	Light Source	Luminaire
Power	5,6W		7W
Flux	490lm		430lm
Efficiency	88lm/W		61lm/W
LOR	-		88%
UGR	-		<19



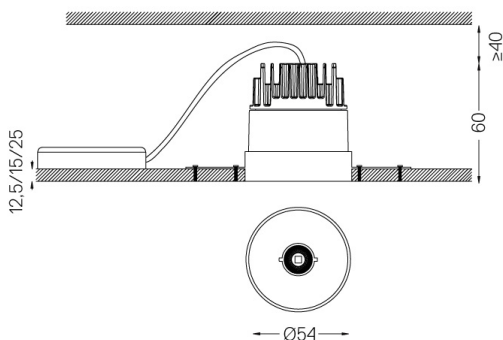
Beam angle  
Flood 56°

Application



Weight

mm



Finishes

- .01 White / RAL 9010
- .02 Black / RAL 9005

Mandatory

- 59039** Trimless accessory (12.5mm ceilings) 155x18mm
- 59040** Trimless accessory (15mm ceilings) 155x20mm
- 59041** Trimless accessory (25mm ceilings) 155x30mm

Optional

- 59083** Removal tool

The cutout dimensions are for plasterboard ceilings. For other type of material please contact: support@om-light.com

Data according to regulations

2019/2020/EU supplemented by 2021/341 | 2019/2015/EU supplemented by 2021/340/EU Energy Consumption Labelling Ordinance. This product contains a light source of efficiency class G Model Identifier 4053560313H

## One Trimless

Trimless accessory (12.5mm  
ceilings)

59039

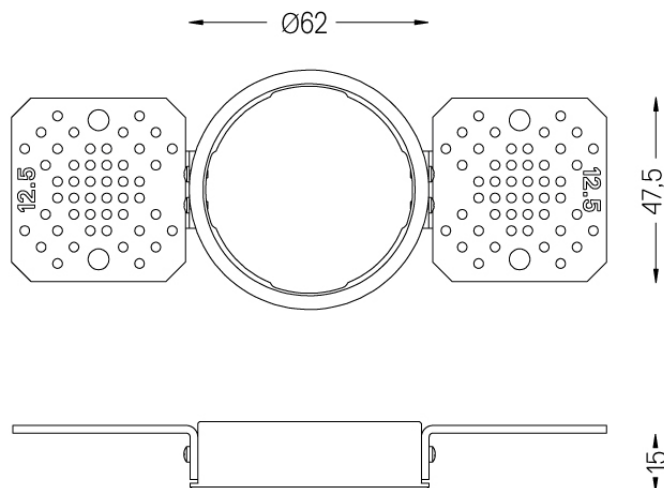


Ø65



Trimless accessory One ø60  
For 12.5mm ceilings.

Weight  
0,01Kg



## One Trimless

Trimless accessory (15mm  
ceilings)

59040

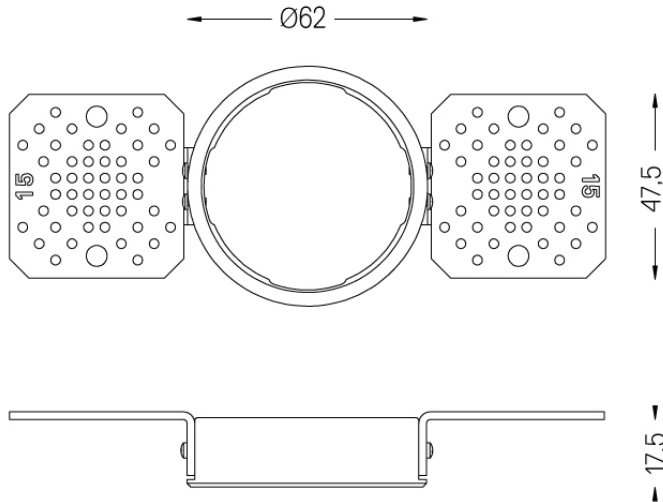


Ø65



Trimless accessory One ø60  
For 15mm ceilings.

Weight  
0,01Kg



## One Trimless

Trimless accessory (25mm  
ceilings)

59041

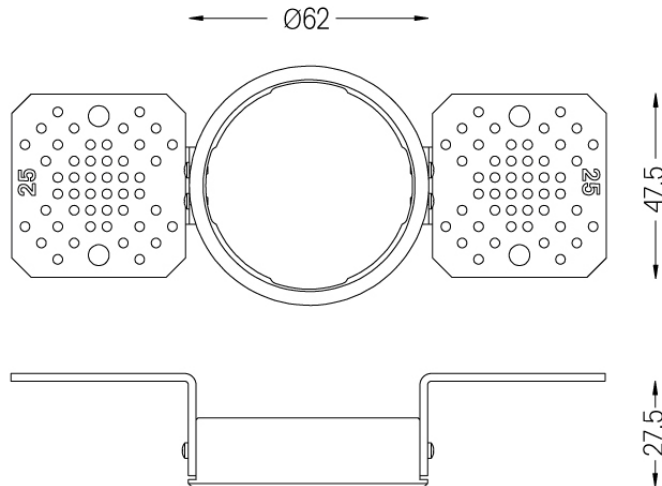


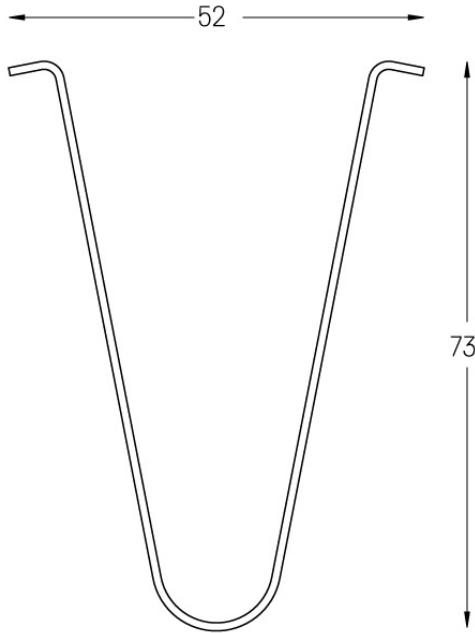
Ø65



Trimless accessory One ø60  
For 25mm ceilings.

Weight  
0,01Kg





Removal tool

59083



Removal tool for Spot on  
luminaires.

Finishes  
.99