

5,6W / 370lm / 4000K / On/Off / Medium
40° / ø54mm

63520



Design: O/M + Bartenbach GmbH

Ceiling-recessed luminaire with aluminium die-cast body and heat sink with electrostatic 100% polyester paint finish.

Lightcore optics for defined and perfectly controlled beam of light.

Recessing accessory supplied separately.

LED CRI>80 / >50.000h, L80/B10
2-step MacAdam / Power supply included.
IP20 | 230Vac | 50/60Hz



LED	4000K	Light Source	Luminaire
Power	5,6W		7W
Flux	490lm		370lm
Efficiency	88lm/W		53lm/W
LOR	-		76%
UGR	-		<10



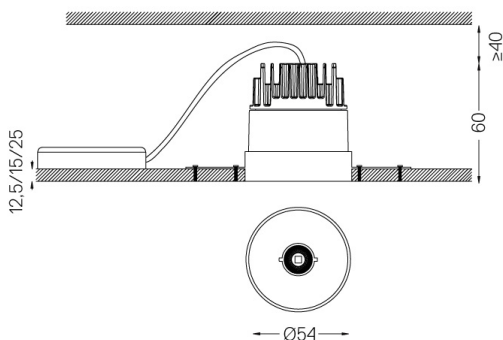
Beam angle
Medium 40°

Application



Weight

mm



Finishes

- .01 White / RAL 9010
- .02 Black / RAL 9005

Mandatory

- 59039** Trimless accessory (12.5mm ceilings) 155x18mm
- 59040** Trimless accessory (15mm ceilings) 155x20mm
- 59041** Trimless accessory (25mm ceilings) 155x30mm

Optional

- 59083** Removal tool

The cutout dimensions are for plasterboard ceilings. For other type of material please contact: support@om-light.com

Data according to regulations

2019/2020/EU supplemented by 2021/341 | 2019/2015/EU supplemented by 2021/340/EU Energy Consumption Labelling Ordinance. This product contains a light source of efficiency class G Model Identifier 4053560313H