

5,9W / 530lm / 3000K / DALI / Asymmetric /  
ø54mm

63519



Design: O/M + Bartenbach GmbH

Ceiling-recessed luminaire with aluminium die-cast body and heat sink with electrostatic 100% polyester paint finish.

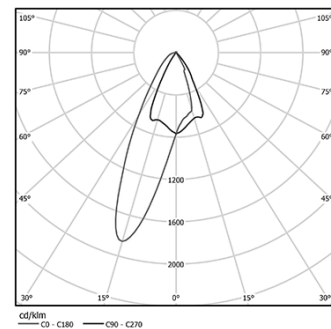
Accurate reflector for a defined and controlled beam of light, achieving maximum efficiency.

Recessing accessory supplied separately.

LED CRI>90 / >50.000h, L80/B10  
2-step MacAdam / Power supply included.  
IP20 | 230Vac | 50/60Hz



LED	3000K	Light Source	Luminaire
Power	5,9W		7,4W
Flux	620lm		530lm
Efficiency	105lm/W		72lm/W
LOR	-		85%
UGR	-		-

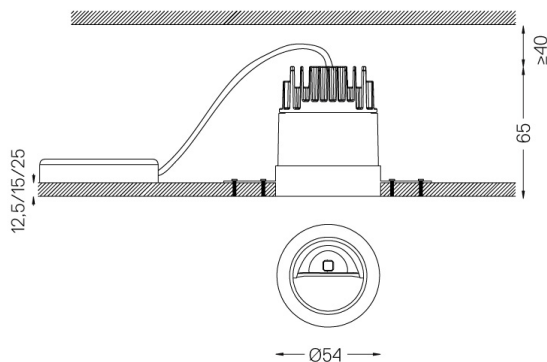


Beam angle  
Asymmetric

Application

Weight

mm



Finishes

- .01 White / RAL 9010
- .02 Black / RAL 9005

Mandatory

- 59039** Trimless accessory (12.5mm ceilings)  
155x18mm
- 59040** Trimless accessory (15mm ceilings)  
155x20mm
- 59041** Trimless accessory (25mm ceilings)  
155x30mm

The cutout dimensions are for plasterboard ceilings. For other type of material please contact: support@om-light.com

Data according to regulations

2019/2020/EU supplemented by 2021/341 | 2019/2015/EU  
supplemented by 2021/340/EU Energy Consumption Labelling  
Ordinance. This product contains a light source of efficiency class E  
Model Identifier 4053560389

## One Asymmetric Trimless

Trimless accessory (12.5mm  
ceilings)

59039

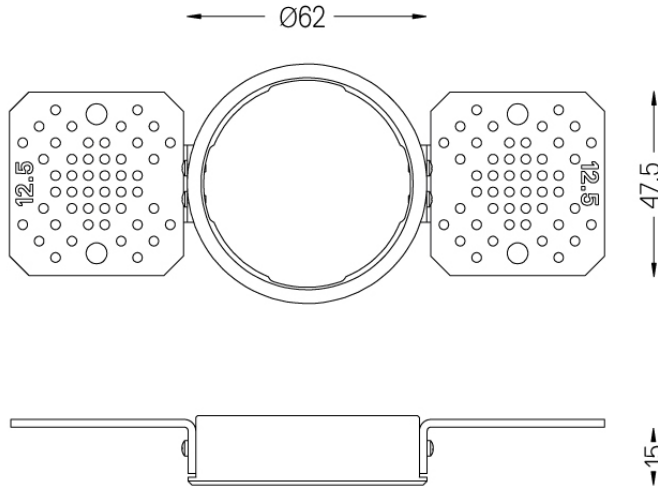


Ø65



Trimless accessory One ø60  
For 12.5mm ceilings.

Weight  
0,01Kg



## One Asymmetric Trimless

Trimless accessory (15mm  
ceilings)

59040

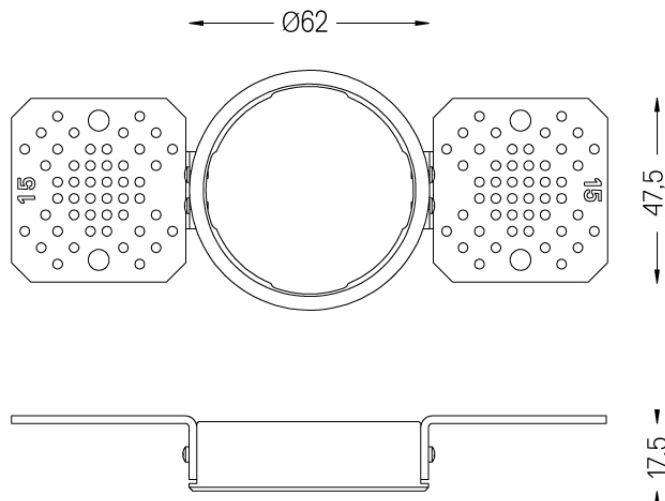


Ø65



Trimless accessory One ø60  
For 15mm ceilings.

Weight  
0,01Kg



## One Asymmetric Trimless

Trimless accessory (25mm  
ceilings)

59041



Ø65



Trimless accessory One ø60  
For 25mm ceilings.

Weight  
0,01Kg

