

5,6W / 350lm / 2700K / DALI / Medium 40° /  
ø54mm

63511



Design: O/M + Bartenbach GmbH

Ceiling-recessed luminaire with aluminium die-cast body and heat sink with electrostatic 100% polyester paint finish.

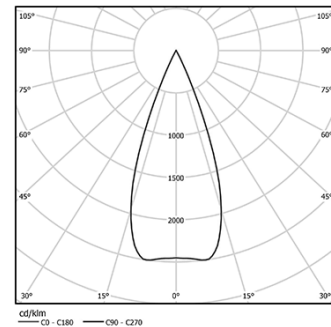
Lightcore optics for defined and perfectly controlled beam of light.

Recessing accessory supplied separately.

LED CRI>90 / >50.000h, L80/B10  
2-step MacAdam / Power supply included.  
IP20 | 230Vac | 50/60Hz



LED	2700K	Light Source	Luminaire
Power	5,6W		7W
Flux	460lm		350lm
Efficiency	82lm/W		50lm/W
LOR	-		76%
UGR	-		<10



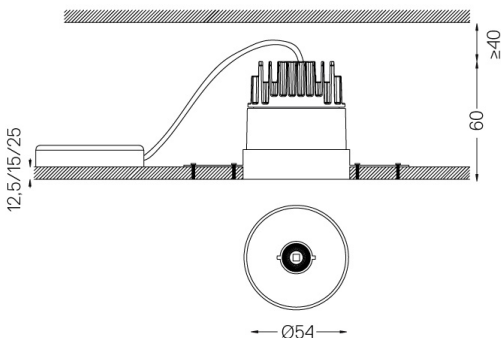
Beam angle  
Medium 40°

Application



Weight

mm



Finishes

- .01 White / RAL 9010
- .02 Black / RAL 9005

Mandatory

- 59039** Trimless accessory (12.5mm ceilings)  
155x18mm
- 59040** Trimless accessory (15mm ceilings)  
155x20mm
- 59041** Trimless accessory (25mm ceilings)  
155x30mm

Optional

- 59083** Removal tool

For the specific supply of "DALI 2" drivers, please contact:  
support@om-light.com

The cutout dimensions are for plasterboard ceilings. For other type of material please contact: support@om-light.com

Data according to regulations

2019/2020/EU supplemented by 2021/341 | 2019/2015/EU  
supplemented by 2021/340/EU Energy Consumption Labelling  
Ordinance. This product contains a light source of efficiency class G  
Model Identifier 4053560312H

## One Trimless

Trimless accessory (12.5mm  
ceilings)

59039

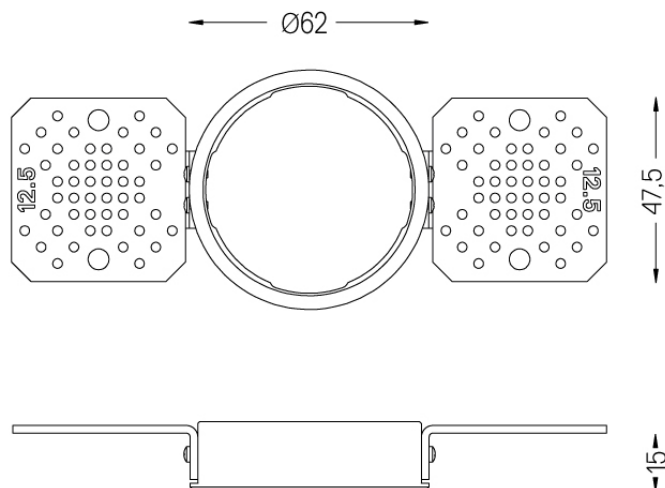


Ø65



Trimless accessory One ø60  
For 12.5mm ceilings.

Weight  
0,01Kg



## One Trimless

Trimless accessory (15mm  
ceilings)

59040

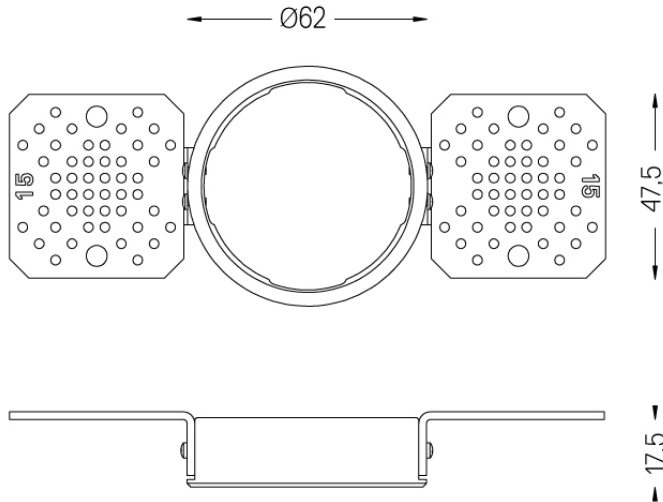


Ø65



Trimless accessory One ø60  
For 15mm ceilings.

Weight  
0,01Kg



## One Trimless

Trimless accessory (25mm  
ceilings)

59041

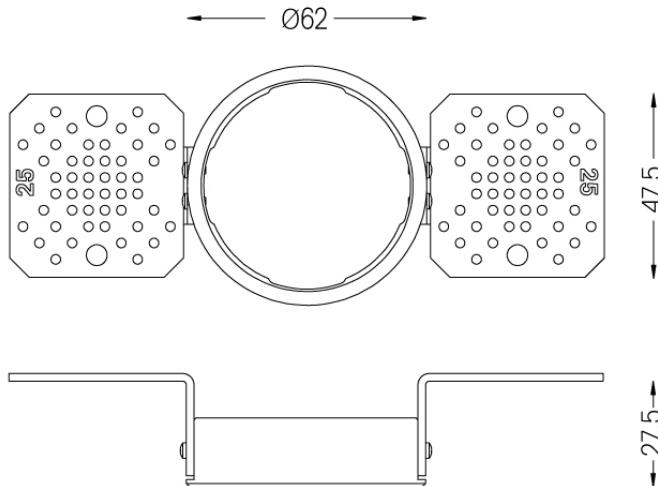


Ø65



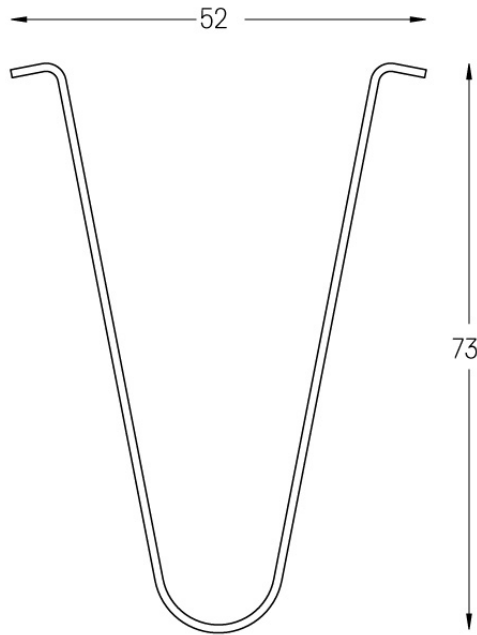
Trimless accessory One ø60  
For 25mm ceilings.

Weight  
0,01Kg



Removal tool

59083



Removal tool for Spot on  
luminaires.

Finishes  
.99