

5,6W / 410lm / 2700K / On/Off / Flood 56° /  
ø54mm

63509



Design: O/M + Bartenbach GmbH

Ceiling-recessed luminaire with aluminium die-cast body and heat sink with electrostatic 100% polyester paint finish.

Lightcore optics for defined and perfectly controlled beam of light.

Recessing accessory supplied separately.

LED CRI>90 / >50.000h, L80/B10  
2-step MacAdam / Power supply included.  
IP20 | 230Vac | 50/60Hz



| LED        | 2700K  | Light Source | Luminaire |
|------------|--------|--------------|-----------|
| Power      | 5,6W   |              | 7W        |
| Flux       | 460lm  |              | 410lm     |
| Efficiency | 82lm/W |              | 59lm/W    |
| LOR        | -      |              | 89%       |
| UGR        | -      |              | <19       |



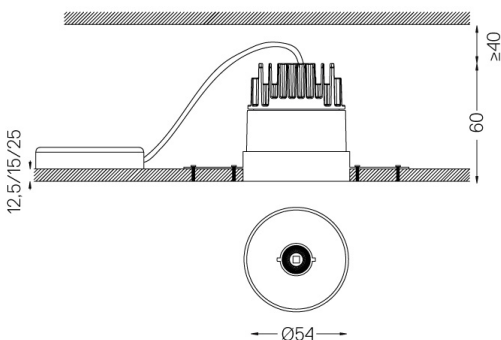
Beam angle  
Flood 56°

Application



Weight

mm



Finishes

- .01 White / RAL 9010
- .02 Black / RAL 9005

Mandatory

- 59039** Trimless accessory (12.5mm ceilings) 155x18mm
- 59040** Trimless accessory (15mm ceilings) 155x20mm
- 59041** Trimless accessory (25mm ceilings) 155x30mm

Optional

- 59083** Removal tool

The cutout dimensions are for plasterboard ceilings. For other type of material please contact: support@om-light.com

Data according to regulations

2019/2020/EU supplemented by 2021/341 | 2019/2015/EU supplemented by 2021/340/EU Energy Consumption Labelling Ordinance. This product contains a light source of efficiency class G Model Identifier 4053560312H