

5,6W / 370lm / 4000K / On/Off / Medium  
40° / 60x60mm

63492



Design: O/M + Bartenbach GmbH

Ceiling-recessed luminaire with aluminium die-cast body and heat sink with electrostatic 100% polyester paint finish.

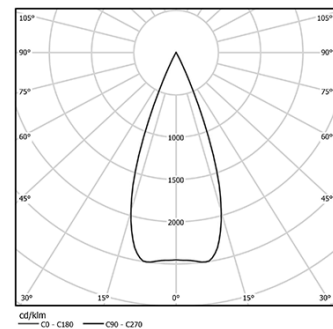
Lightcore optics for defined and perfectly controlled beam of light.

Fitting accessories for different applications are available.

LED CRI>80 / >50.000h, L80/B10  
2-step MacAdam / Power supply included.  
IP20 | 230Vac | 50/60Hz



| LED        | 4000K  | Light Source | Luminaire |
|------------|--------|--------------|-----------|
| Power      | 5,6W   |              | 7W        |
| Flux       | 490lm  |              | 370lm     |
| Efficiency | 88lm/W |              | 53lm/W    |
| LOR        | -      |              | 76%       |
| UGR        | -      |              | <10       |



Beam angle  
Medium 40°

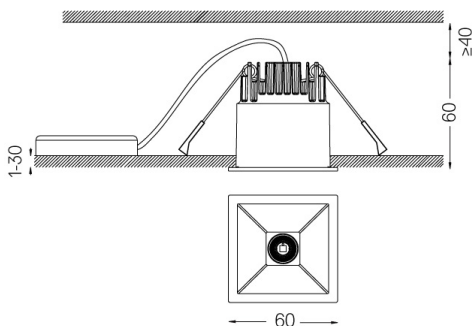
Application



Weight  
0,30Kg



53x53



Finishes

- .01 White / RAL 9010
- .02 Black / RAL 9005

The cutout dimensions are for plasterboard ceilings. For other type of material please contact: support@om-light.com

Data according to regulations

2019/2020/EU supplemented by 2021/341 | 2019/2015/EU supplemented by 2021/340/EU Energy Consumption Labelling Ordinance. This product contains a light source of efficiency class G Model Identifier 4053560313H