

5,6W / 410lm / 2700K / On/Off / Flood 56° / 60x60mm

63485



Design: O/M + Bartenbach GmbH

Ceiling-recessed luminaire with aluminium die-cast body and heat sink with electrostatic 100% polyester paint finish.

Lightcore optics for defined and perfectly controlled beam of light.

Fitting accessories for different applications are available.

LED CRI>90 / >50.000h, L80/B10
2-step MacAdam / Power supply included.
IP20 | 230Vac | 50/60Hz



| LED | 2700K | Light Source | Luminaire |
|------------|--------|--------------|-----------|
| Power | 5,6W | | 7W |
| Flux | 460lm | | 410lm |
| Efficiency | 82lm/W | | 59lm/W |
| LOR | - | | 89% |
| UGR | - | | <19 |



Beam angle
Flood 56°

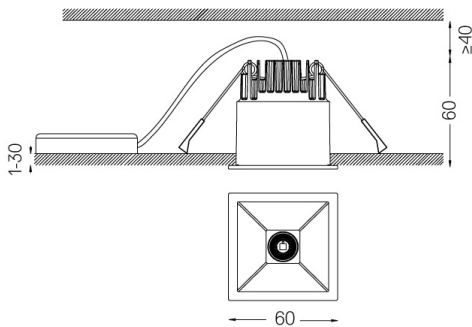
Application



Weight
0,30Kg



53x53



Finishes

- .01 White / RAL 9010
- .02 Black / RAL 9005

The cutout dimensions are for plasterboard ceilings. For other type of material please contact: support@om-light.com

Data according to regulations

2019/2020/EU supplemented by 2021/341 | 2019/2015/EU supplemented by 2021/340/EU Energy Consumption Labelling Ordinance. This product contains a light source of efficiency class G Model Identifier 4053560312H