

5,6W / 430lm / 4000K / On/Off / Flood 56° / ø60mm

63467



Design: O/M + Bartenbach GmbH

Ceiling-recessed luminaire with aluminium die-cast body and heat sink with electrostatic 100% polyester paint finish.

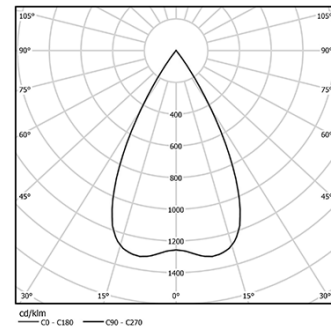
Lightcore optics for defined and perfectly controlled beam of light.

Easy recessing system with spring clips.

LED CRI>80 / >50.000h, L80/B10
2-step MacAdam / Power supply included.
IP20 | 230Vac | 50/60Hz



LED	4000K	Light Source	Luminaire
Power	5,6W	7W	
Flux	490lm	430lm	
Efficiency	88lm/W	61lm/W	
LOR	-	88%	
UGR	-	<19	



Beam angle
Flood 56°

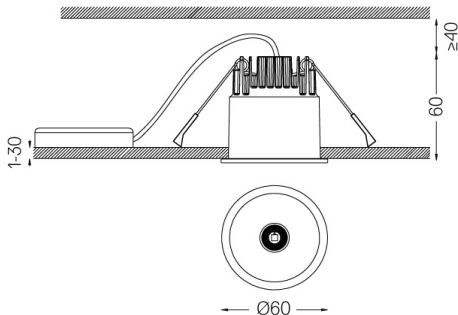
Application



Weight
0,28Kg



Ø53



Finishes

- .01 White / RAL 9010
- .02 Black / RAL 9005

The cutout dimensions are for plasterboard ceilings. For other type of material please contact: support@om-light.com

Data according to regulations

2019/2020/EU supplemented by 2021/341 | 2019/2015/EU supplemented by 2021/340/EU Energy Consumption Labelling Ordinance. This product contains a light source of efficiency class G Model Identifier 4053560313H