

4,5W / 360lm / 4000K / DALI / Spot 15° / ø86mm

63292



Design: O/M + Bartenbach GmbH

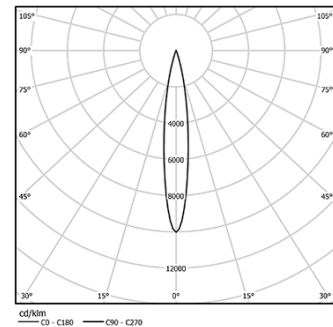
Track-mounted spotlight with die-cast aluminium body with electrostatic 100% polyester paint finish. Spot-lens with individual complex surface rips to provide a focal light and an extremely narrow beam. Orientable by 90° horizontal rotation and 330° vertical rotation.

Power supply incorporated.

LED CRI>80 / >50.000h, L80/B10  
2-step MacAdam / Power supply included.  
IP20 | 230Vac | 50/60Hz



LED	4000K	Light Source	Luminaire
Power	4,5W		5,8W
Flux	620lm		360lm
Efficiency	138lm/W		62lm/W
LOR	-		58%
UGR	-		230Vac

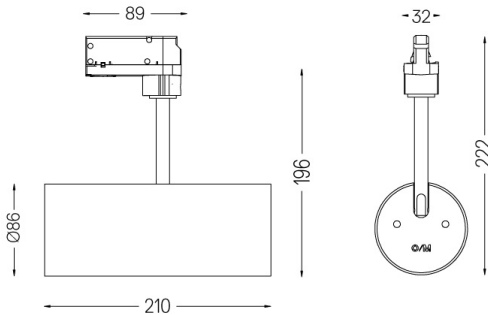


Beam angle  
Spot 15°

Application

Weight  
0,64Kg

mm



Finishes

- .01 White / RAL 9010
- .02 Black / RAL 9005