

9,8W / 550lm / 2700K / DALI / Spot 15° / ø85mm

63285



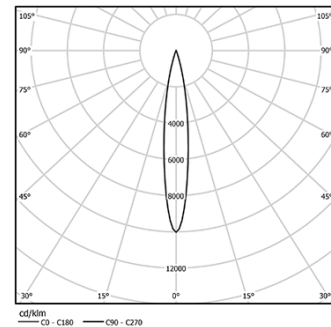
Design: O/M + Bartenbach GmbH

Track-mounted spotlight with die-cast aluminium body with electrostatic 100% polyester paint finish. Spot-lens with individual complex surface rips to provide a focal light and an extremely narrow beam. Orientable by 90° horizontal rotation and 330° vertical rotation. Driver included.

LED CRI>90 / >50.000h, L80/B10  
2-step MacAdam / Driver included.  
IP20 | 230Vac | 50/60Hz



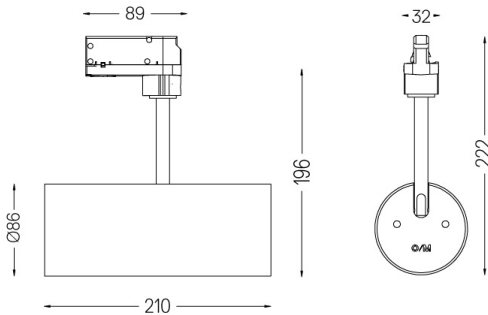
LED	2700K	Light Source	Luminaire
Power		9,8W	12,3W
Flux		955lm	550lm
Efficiency		97lm/W	45lm/W
LOR		-	58%
Operating Condition		-	230Vac



Beam angle  
Spot 15°

Application

Weight  
0,64Kg



Finishes

- .01 White / RAL 9010
- .02 Black / RAL 9005

Data according to regulations

2019/2020/EU supplemented by 2021/341 | 2019/2015/EU supplemented by 2021/340/EU Energy Consumption Labelling Ordinance. This product contains a light source of efficiency class F  
Model Identifier 2053560245H