

## Beam Adjustable

2,2W / 180lm / 2700K / On/Off / Spot 14° / ø75mm

63180



Design: O/M

Ceiling-recessed luminaire made of aluminium die-cast.

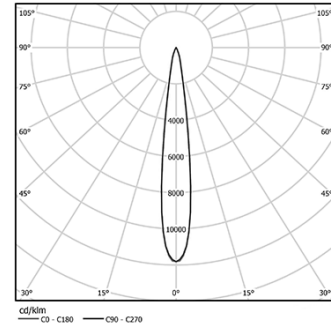
Adjustable version (orientable by 30° on the horizontal axis and 355° on the vertical axis).

Recessing accessory for flush version supplied separately.

LED CRI>90 / >50.000h, L80/B10  
2-step MacAdam / Power supply included.  
IP20 | 230Vac | 50/60Hz



LED	2700K	Light Source	Luminaire
Power	2,2W		2,8W
Flux	200lm		180lm
Efficiency	91lm/W		64lm/W
LOR	-		90%
UGR	-		<10



Beam angle  
Spot 14°

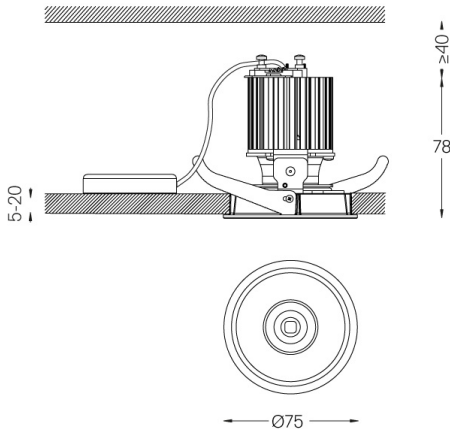
Application



Weight  
0,38Kg



Ø70 (trim version)



Finishes

- .04 Matt White
- .05 Matt Black

Optional

- 59063** Flush accessory (12.5mm ceilings)  
176x17mm
- 59064** Flush accessory (15mm ceilings)  
176x19,5mm
- 59065** Flush accessory (25mm ceilings)  
176x29,5mm

The cutout dimensions are for plasterboard ceilings. For other type of material please contact: support@om-light.com

Data according to regulations

2019/2020/EU supplemented by 2021/341 | 2019/2015/EU supplemented by 2021/340/EU Energy Consumption Labelling Ordinance. This product contains a light source of efficiency class F Model Identifier 4053560279